



QUALITY... PLAIN & SIMPLE®

Powerglide Case Mount Shifter Installation Instructions

General Installation Notes:

Please read these instructions completely before beginning the installation. If you have any questions, please call.

Before beginning the installation, disconnect the negative battery cable and use wheel chocks to block the vehicle's wheels.

Make sure the engine, transmission, body and frame are properly grounded.

All Lokar Installation Instructions can be found by visiting www.lokar.com/instructions.html.

This Shifter is designed for an ALUMINUM CASE ONLY. It DOES NOT FIT a cast iron case. Refer to Fig. 1 for the component names.

Tools and Materials Required:

- Standard Allen wrenches: 1/8", 5/32", 3/16", 7/32"
- Wrench or Socket Sizes: 5/16", 3/8", 7/16", 1/2", 9/16", 5/8", 7/8"
- Tape Measure
- Metal cutting tool, such as a hacksaw or a die grinder with a cut-off wheel
- Ohmmeter
- Wire cutters/strippers
- Wire crimping or soldering tools
- Automatic transmission fluid and a transmission filter and pan gasket
- Blue thread locking compound
- A new selector shaft seal is recommended

Lokar Shifters are designed to fit specific transmissions. Before you begin the installation, verify you have the proper model for your transmission. If your Shifter does not seem to fit properly, do not make modifications during installation as this may void your warranty. Call for assistance.

Verify the length of the Shifter you have purchased is what you actually want. When installed, the bottom of the shifter lever will be approximately 3-1/2" - 4" above the transmission case. From that point up to the top of the knob is how the shifter length is determined.

Before attempting to make any adjustments, the Shifter must be installed on the transmission and the transmission should be installed into the vehicle.

The shifter lever is designed to lock in Park and in Neutral. You must depress the release button in the top of the shifter knob in order to shift out of Park or Neutral. The release button will only be flush with the top of the shifter knob when the shifter lever is in Park or Neutral.

To shift from Park directly to Drive, depress the release button and hold it down while moving the shifter lever, and the shifter lever will automatically stop in the Drive position. Once you release the button, the shifter lever can be moved into low gear.

These instructions assume you have full access to the transmission when the installation is begun, with the transmission removed from the vehicle, or the vehicle body removed from the chassis.

Powerglide Case Mount Shifter Installation Instructions



Building American Quality... With A Lifetime Warranty!®

TOLL FREE 1-877-469-7440 • tech@lokar.com • www.lokar.com

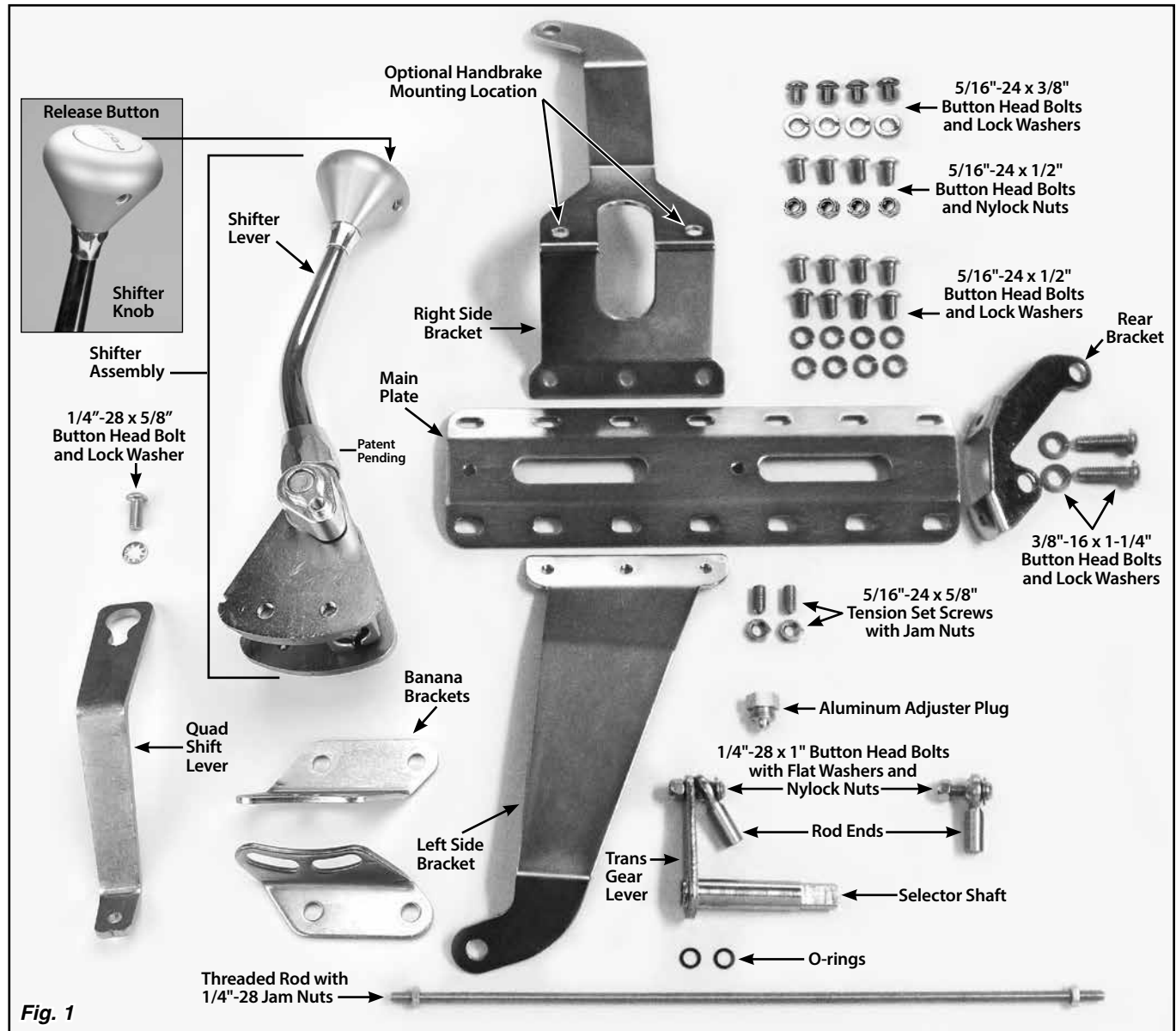


Fig. 1

Step 1: If your vehicle already has a shifter of any type installed, disconnect all shifter linkage and remove the shifter and its related hardware (neutral safety switch, back-up light switch, etc.).

Step 2: The first step is to replace the original selector shaft with the one supplied with the new Lokar Shifter. If you are not comfortable performing this procedure, please consult a professional. A factory service manual may be helpful.

Drain the transmission fluid and remove the transmission pan and filter.

Step 3: Remove the two 5/16" bolts from the selector guide plate, and remove the selector guide plate. **Fig. 2**

Step 4: Loosen the bolt on the throttle valve shaft clamp, but do not remove the bolt. Slide the throttle valve shaft out of the transmission and remove the throttle valve shaft clamp. **Fig. 3 and Fig. 4**

Step 5: Remove the detent spring. **Fig. 5** Loosen the bolt on the selector shaft clamp, but do not remove the bolt. Slide the selector shaft out of the transmission and remove the selector shaft clamp. **Fig. 6 and Fig. 7**

Step 6: Remove the twist tie and O-rings from the new selector shaft and set the O-rings aside. Check the fit of the detent plate to the new selector shaft. **Fig. 8** The original selector shaft had a small section of splines, and the new selector shaft has a flat machined in that position instead.

Step 7: We recommend you replace the selector shaft seal (not included) while you have the selector shaft out of the transmission. Install the new selector shaft and your original selector shaft clamp, and tighten the bolt on the selector shaft clamp. If installed correctly, the lever will be pointing up and slightly toward the rear of the transmission, at approximately the 1:00 position.

Reinstall the detent spring.

Step 8: Lubricate the new O-rings with clean automatic transmission fluid. Slide both of them onto the throttle valve shaft, all the way outward until they rest against the external lever on the end of the shaft. Install the throttle valve and throttle valve clamp, and tighten the bolt on the throttle valve clamp.

Step 9: Install the original selector guide plate and two original 5/16" bolts. Install a new fluid filter and pan gasket, and reinstall the pan. Fill the transmission with the recommended amount of fluid.

Step 10: The main plate has two 5/16"-24 tension set screw holes. One set screw hole is in the center of the main plate, and the other set screw hole is at one end of the main plate. The main plate will be installed so the end of the main plate that has a set screw hole will be towards the front of the transmission.

The left side bracket and right side bracket bolt directly to the main plate. Attach the side brackets to the underside of the main plate as shown in **Fig. 9**, using three 5/16"-24 x 1/2" button head bolts and lock washers on each side. **DO NOT TIGHTEN AT THIS TIME.**

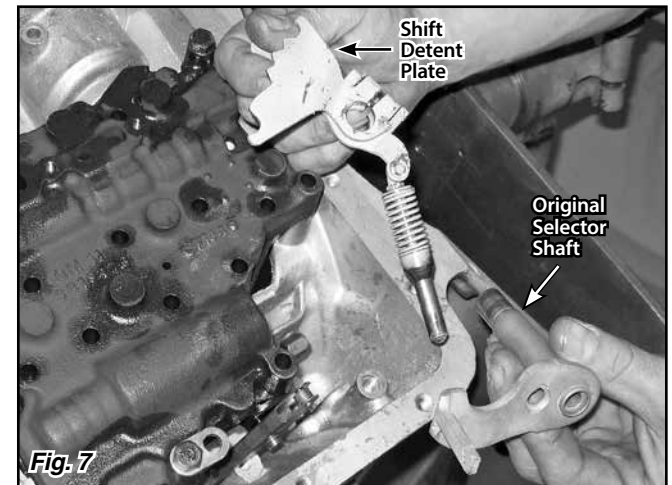
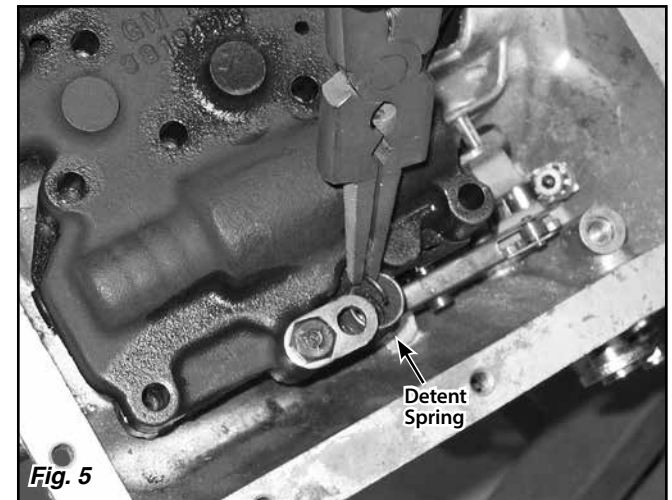
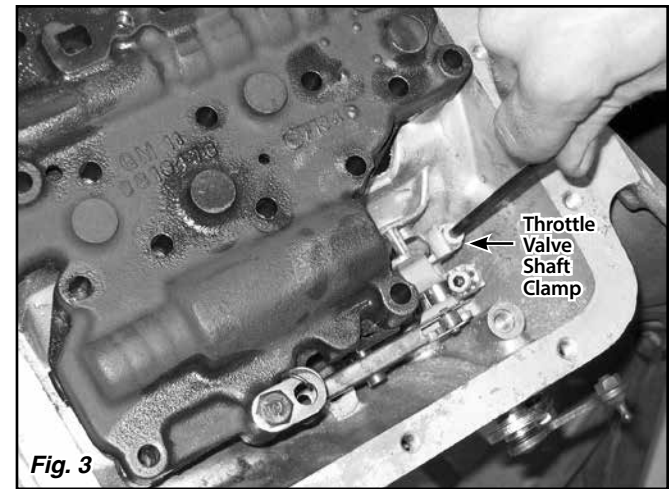
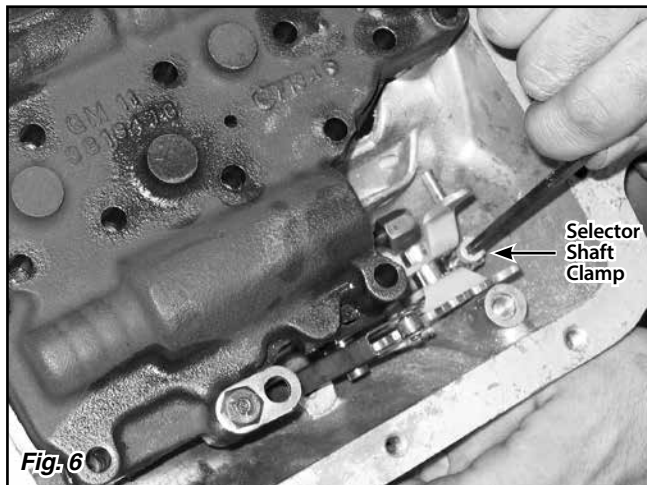
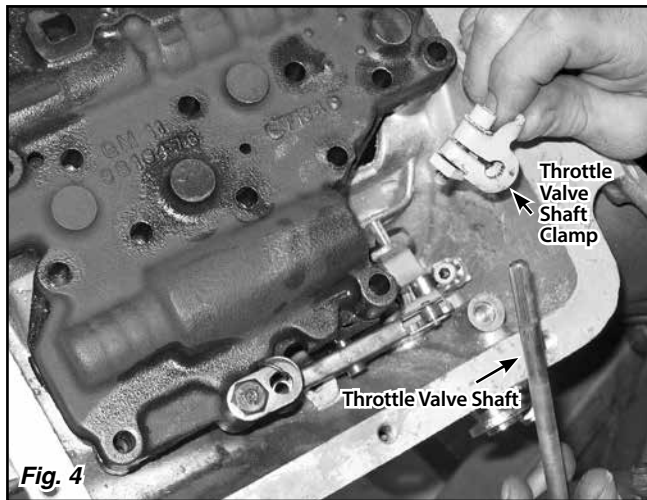
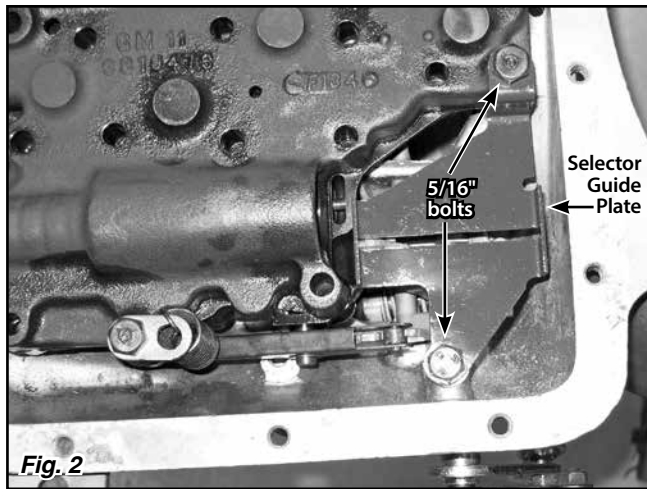
NOTE: Some 4 wheel drive applications cannot use a rear bracket. If the transfer case will not allow the rear bracket to fit, skip **Step 11** and go on to **Step 12**.

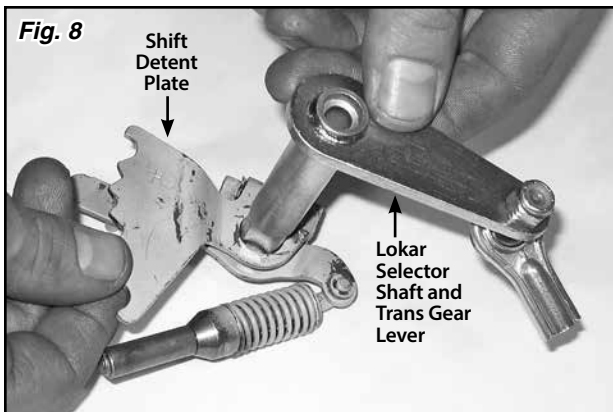
Step 11: Attach the rear bracket to the underside of the main plate with the bracket ears pointing to the front of the transmission (toward the engine) as shown in **Fig. 9**, using two 5/16"-24 x 1/2" button head bolts and lock washers. **DO NOT TIGHTEN AT THIS TIME.**

Step 12: On the driver side of the transmission, there is a band adjustment screw with a lock nut. Use an appropriate wrench to hold the adjustment screw still, and carefully remove the lock nut without disturbing the adjustment screw. **Be sure you do not change the adjustment!** **Fig. 10**

On the passenger side of the transmission, there is a servo cover with three bolts. Remove the lower rear bolt from the servo cover. **Fig. 11**

If you are using the rear bracket, remove the top center and passenger side tail housing bolts from the transmission.





Step 12, continued: If you have a 4 wheel drive application that will not accept the rear bracket, start the 5/16"-24 x 5/8" tension set screws into the tension set screw holes at the front and in the center of the shifter main plate. Install the 5/16"-24 jam nuts onto the set screws on the underside of the main plate.

NOTE: The tension set screws are not needed if you are using the rear bracket.

Step 13: Place a small amount of silicone sealer around the band adjustment screw. Install the mounting bracket assembly onto the transmission by first placing the left side bracket over the band adjusting screw. Then, position the right side bracket over the servo cover bolt hole, and install the servo cover bolt you removed earlier. Install the original lock nut back onto the band adjustment screw. **Again, be sure you do not change the adjustment!** Fig. 12

Step 14: If you are using the rear bracket, install the two 3/8"-16 x 1-1/4" button head bolts and lock washers through the rear bracket and into the transmission at the tail housing.

Step 15: Tighten all of the bolts on the left side, right side, and rear brackets.

On 4 wheel drive applications without the rear bracket, tighten the 5/16"-24 set screws in the main plate, threading them in until they contact the top of the transmission case. Tighten the 5/16"-24 jam nuts up against the underside of the main plate.

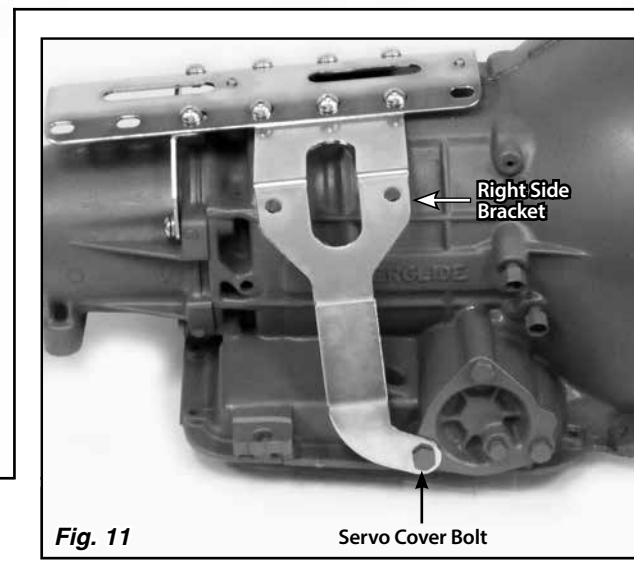
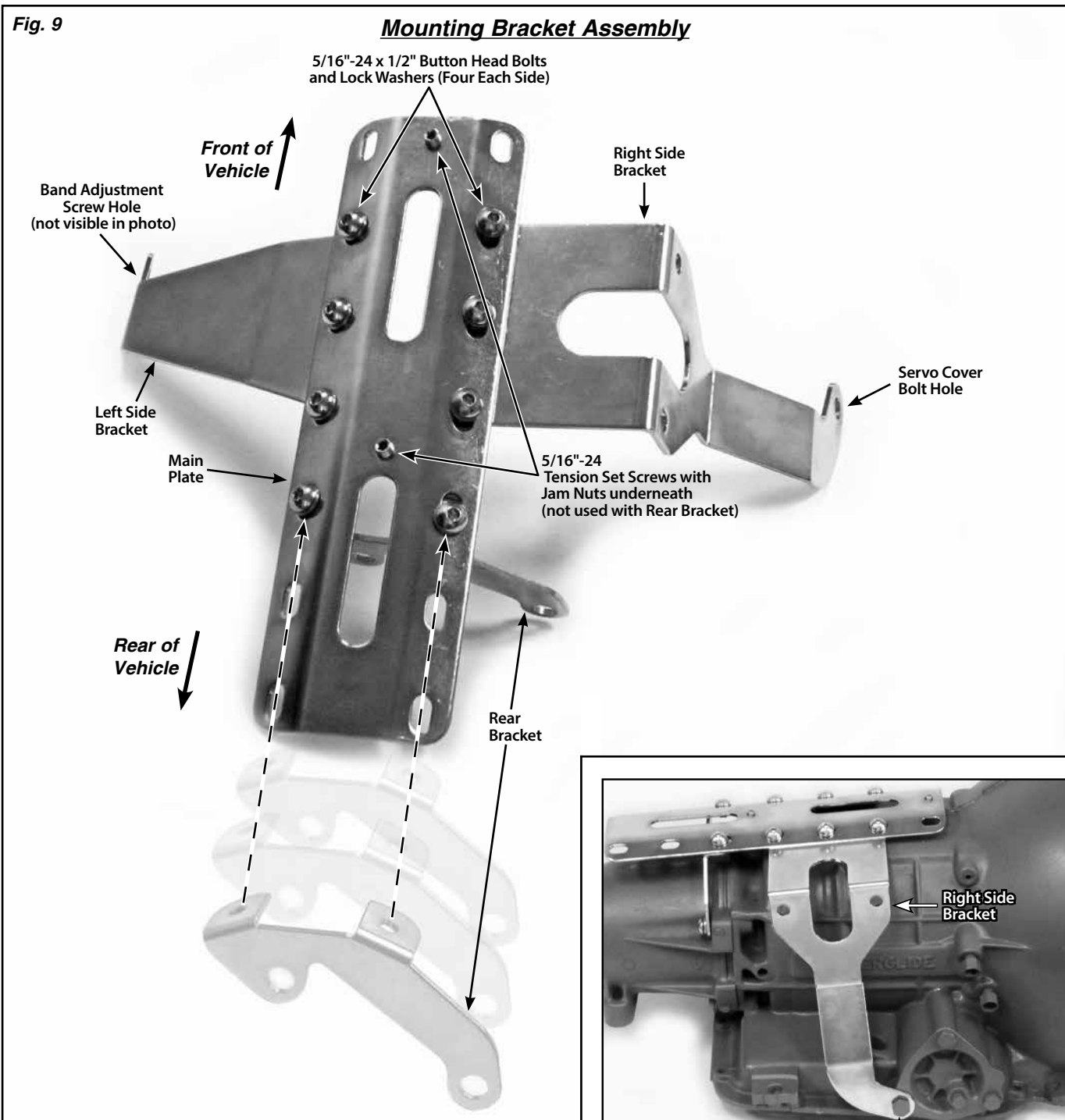
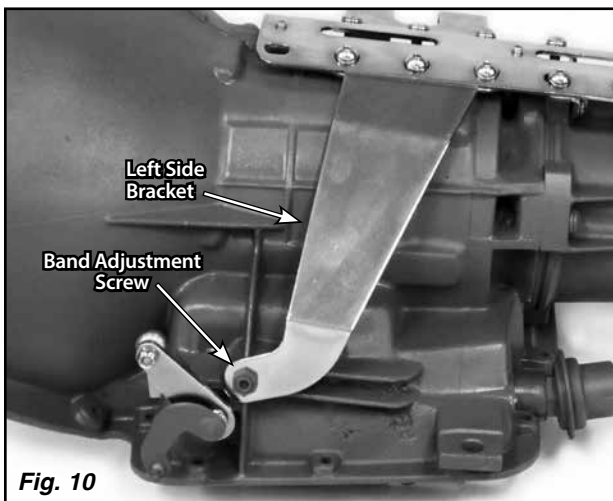


Fig. 10

Fig. 11

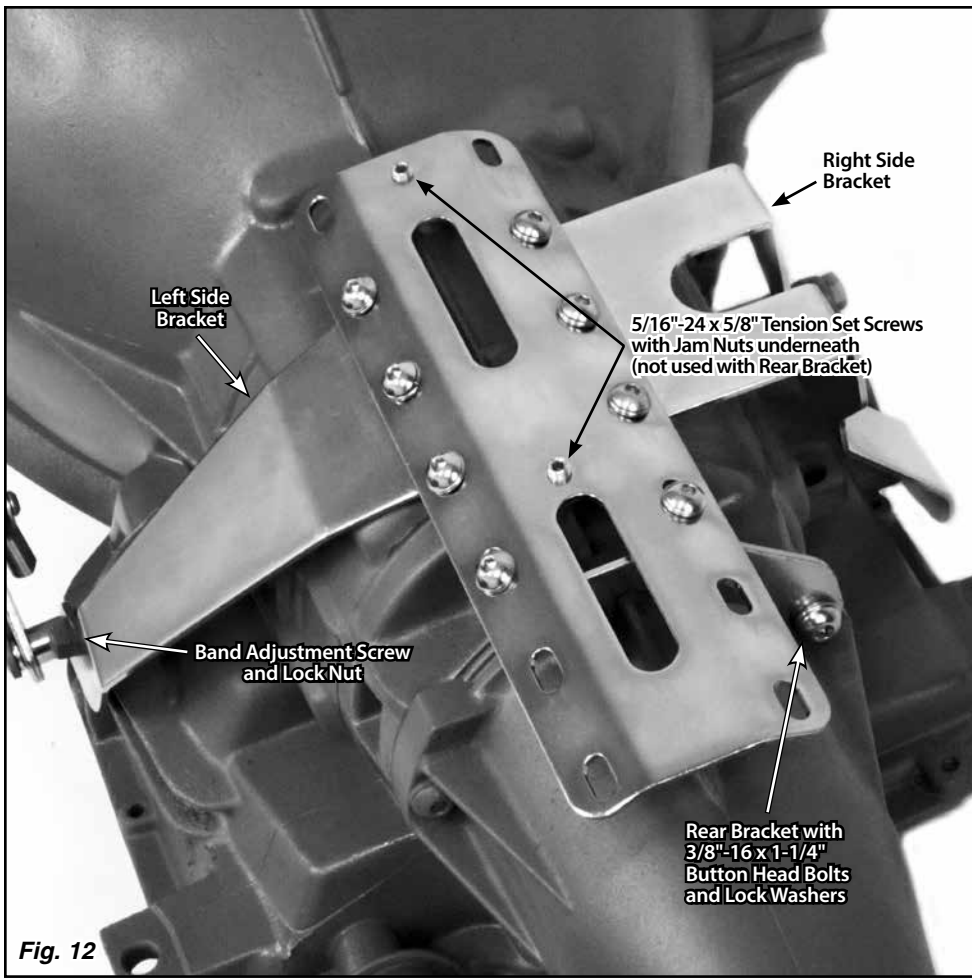


Fig. 12

Step 16: Install the banana brackets onto the shifter assembly using the 5/16"-24 x 3/8" button head bolts with lock washers. The curved, slotted holes in the banana brackets mate up to the shifter, and the bottom of both banana brackets should be pointing towards the rear. **Fig. 13**

Make sure you are using 3/8" long bolts. They will be the shortest bolts in the shifter kit. DO NOT use the 5/16"-24 x 1/2" button head bolts that came in the packet with the banana brackets to attach the banana brackets to the shifter! Those bolts will be used in the next step.

Step 17: You are now ready to position your shifter assembly onto the main plate. There are several mounting position options from front to rear on the transmission.

If your vehicle already has a shifter opening in the tunnel and the engine is installed in the vehicle, measure from the rear face of the engine block to the center of your existing shifter opening. If your engine is not yet installed in the vehicle, measure from the engine mounts to the center of the existing shifter opening instead.

If the vehicle does not have an existing shifter opening in the transmission tunnel, decide where you want the Shifter to be positioned so it will be comfortable and will not interfere with the dash or a bench seat (if applicable). Mark that spot on the tunnel, and measure as described above.

Transfer that measurement to the transmission (or to the engine/transmission assembly if the engine is not installed in the vehicle). Mark that location on the main plate. The holes in the main plate closest to your mark are where the **FRONT** banana bracket bolts will need to be installed. **Fig. 14**

If you choose to install the shifter assembly where any of its mounting holes line up with the left side, right side, or rear bracket mounting bolts, mount the shifter assembly using the same bolts and lock washers already being used to attach the left side, right side, or rear brackets to the main plate. In this case, the bolts will go through the banana bracket first, then the main plate, and finally into the mounting bracket below.

Any shifter mounting holes that do not line up with the side or rear bracket bolts must use the provided 5/16"-24 x 1/2" button head bolts and nylock nuts (**NO lock washers**). Make sure the shifter assembly is mounted using all four bolt holes. **Do not use any other length bolts.**

Step 18: If your vehicle does not already have an existing shifter opening, cut the opening now. If you are using a Lokar Shifter Boot, the maximum opening for a round boot is 4" in diameter, and the maximum opening for a rectangular boot is 4" wide by 5-1/2" long.

Before proceeding any further, the transmission should be installed in the vehicle, with the vehicle body, seat and dashboard in place.

Step 19: Make sure the two 5/16"-24 x 3/8" button head bolts and lock washers that attach the driver side banana bracket to the shifter assembly (in the curved, slotted holes) are tight. Before tightening the shifter assembly to the main plate, move the shifter lever through all the gear positions. Make sure the shifter lever and knob will not come in contact with the dash or the seat. The shifter assembly can be tilted forward or backward if needed by loosening the 5/16"-24 x 3/8" button head bolts and lock washers in the curved, slotted holes in the driver side banana bracket. **Fig. 15**

If you ever disassemble the shifter assembly, be sure the 5/16"-24 x 3/8" button head bolts and lock washers are put back into the curved, slotted holes in the banana brackets. Installing longer bolts will prevent the shifter from operating.

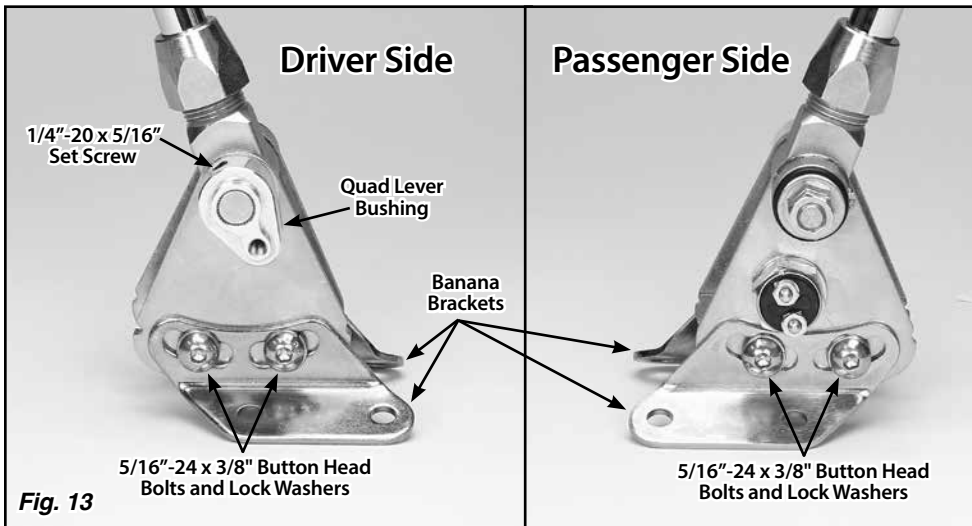


Fig. 13

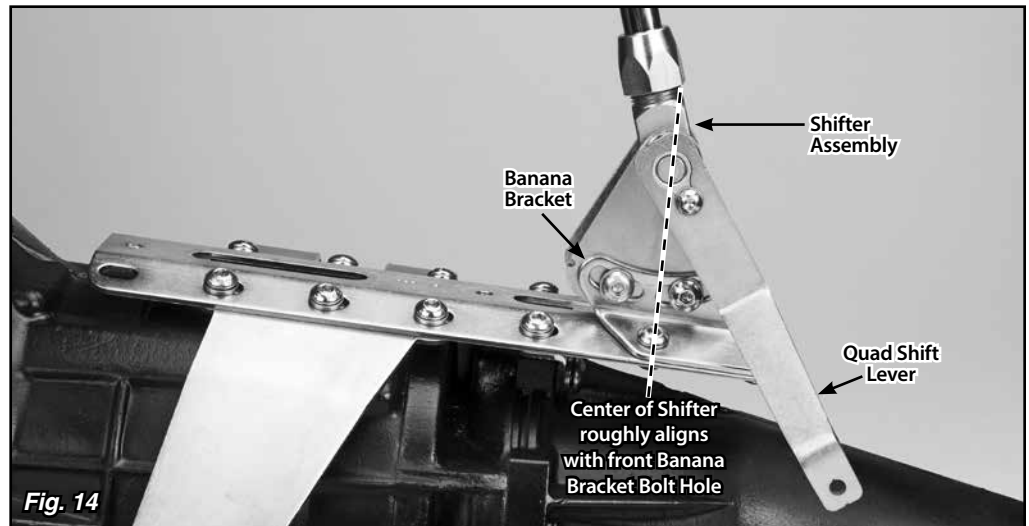


Fig. 14

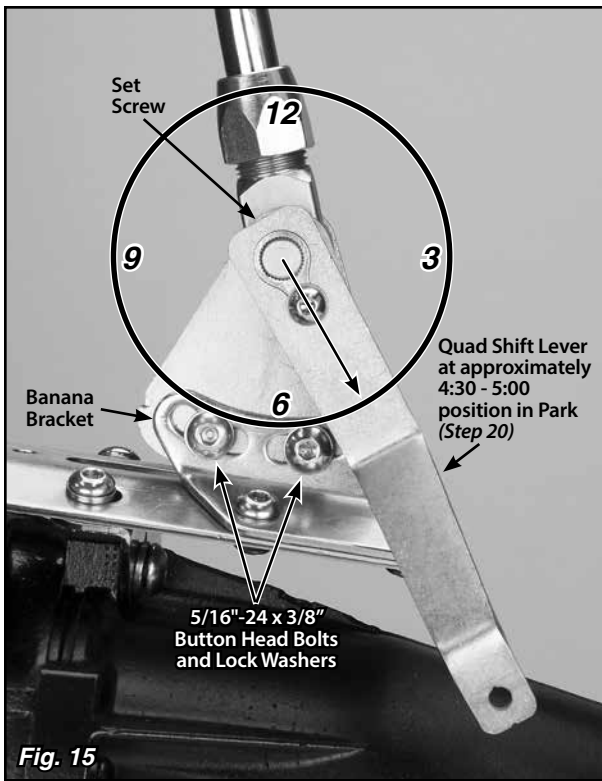


Fig. 15

NOTE: If you find after installation the shape or length of the shifter lever is not suitable for your application, Lokar has a number of different styles and lengths of Lever Conversion Kits available for purchase separately through our dealer network.

Step 20: Make sure the shifter lever is in the Park position. Temporarily place the quad shift lever in position on the quad lever bushing as shown in Fig. 15. Check for interference with the vehicle floor. With the shifter lever in Park, the quad shift lever should be pointing towards approximately the 4:30 – 5:00 position.

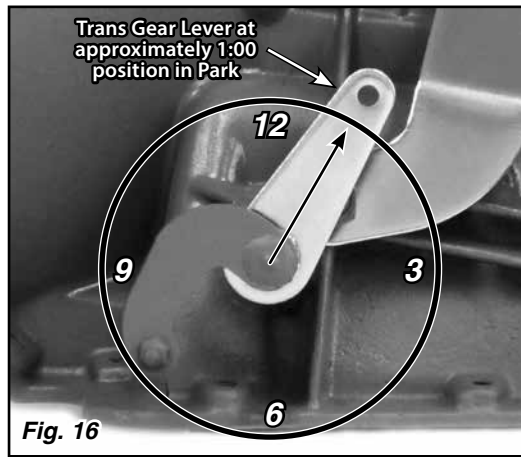


Fig. 16

If the quad shift lever is not pointing towards the 4:30 - 5:00 position, loosen the 1/4"-20 x 5/16" set screw in top of the quad lever bushing using a 1/8" Allen wrench. Slide the quad lever bushing off of the shifter. Reinstall the bushing pointing towards approximately the 4:30 - 5:00 position as shown. Re-tighten the set screw.

NOTE: If your shifter assembly is placed near the front of the main plate, you may need to position the quad shift lever slightly higher, such as at the 4:00 position instead. This will help prevent over-centering the trans gear lever.

With the quad shift lever in position on the quad lever bushing, install the 1/4"-28 x 5/8" button head bolt and lock washer into the bushing, and tighten with a 5/32" Allen wrench.

Step 21: Place the trans gear lever in the Park position with the top of the lever pointing up and slightly towards the rear of the transmission, at about the 1:00 position. Fig. 16

Step 22: The threaded rod will connect the quad shift lever to the trans gear lever. Check to make sure nothing will interfere with the travel of the threaded rod.

If there is any interference, the threaded rod can be bent slightly as needed.

Verify both the shifter lever and the transmission are in the Park position. Measure center-to-center between the 1/4" holes in the trans gear lever on the transmission and the quad shift lever on the shifter assembly. Subtract 1-3/4". Fig. 17 This is the length you will cut the threaded rod to. Use a hacksaw or cutoff wheel to shorten the threaded rod. Then, deburr the cut end.

Step 23: Verify both 1/4"-28 jam nuts are on the threaded rod, and install a rod end onto each end of the threaded rod. Attach the threaded rod assembly to the *inside* of the trans gear lever and to the *outside* of the quad shift lever using the 1/4"-28 x 1" button head bolts, flat washers, and nylock nuts as shown in Fig. 18 and Fig. 19. The button head bolts can be installed from either direction, but make sure each rod end is sandwiched between the flat washer and the trans gear lever or quad shift lever.

Step 24: Check the adjustment of the shifter linkage by placing the shifter lever all the way forward into the Park position. Make sure the release button still moves up and down freely. The release button should be flush with the top of the shifter knob in Park and Neutral. In the Reverse position, you cannot pull the lever back into Neutral without depressing the release button.



Fig. 17

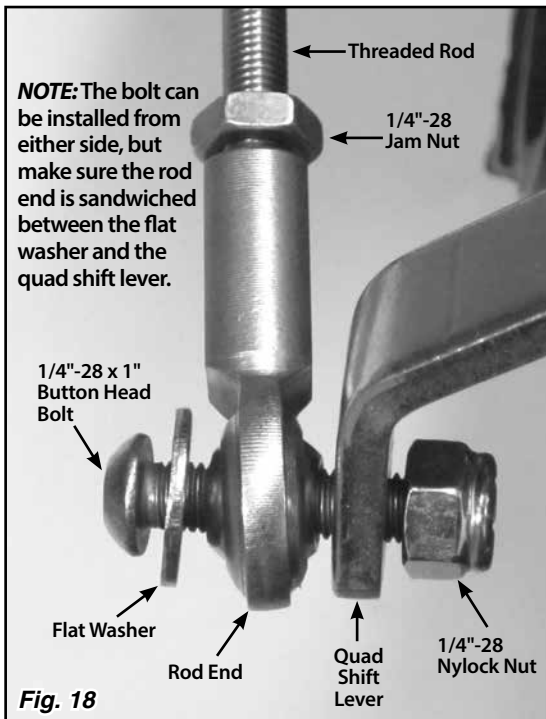


Fig. 18

NOTE: The bolt can be installed from either side, but make sure the rod end is sandwiched between the flat washer and the quad shift lever.

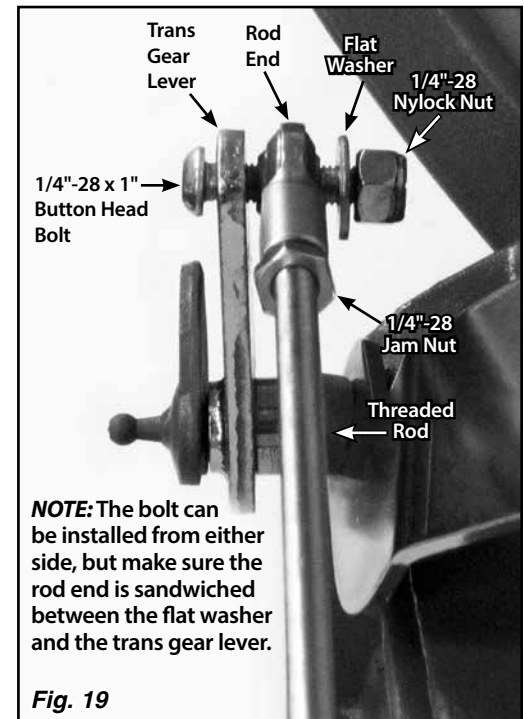


Fig. 19

NOTE: The bolt can be installed from either side, but make sure the rod end is sandwiched between the flat washer and the trans gear lever.

Step 24 continued: While the shifter lever is in the Park position, make sure the transmission is firmly in the "Park" detent, with no tension on the threaded rod. You can verify this by removing the 1/4"-28 x 1" button head bolt with nylock nut that attaches the rod end to the quad shift lever or trans gear lever at either end of the threaded rod. Make sure the hole in the rod end exactly aligns with the hole in the quad shift lever or trans gear lever. The bolt should pass freely through both holes at the same time without binding. Do not force the holes to line up.

If the holes are not aligned, screw the rod end in or out just enough to be able to slide the bolt in and out without putting tension on the threaded rod. Make sure the quad shift lever and trans gear lever do not move during the adjustment procedure. Use this adjustment routine until the bolt will pass freely in and out of both the rod end and the quad shift lever or trans gear lever. Reinstall the 1/4"-28 nylock nut and the flat washer onto the bolt and tighten.

Once you have the shifter linkage adjusted correctly, tighten the jam nuts on the threaded rod.

Neutral Safety Switch Adjustment and Wiring

Step 25: For the neutral safety switch to function properly, the shifter linkage must be adjusted correctly. Do not attempt to adjust the neutral safety switch unless you have completed **Step 24**.

The Lokar Neutral Safety Switch is a simple on/off, non-directional switch. The switch passes current (turns on) when the ball is pushed in. It does not pass current (turns off) when the ball is out at its at-rest position.

Double check to make sure the bolts connecting the **driver** side banana bracket to the shifter assembly are tight. **Fig. 15**

Step 26: Remove the neutral safety switch and washer from the switch plate on the **passenger** side of the shifter using a 7/8" wrench or socket. **Fig. 20**

Step 27: Loosen, but do not remove, the two 5/16"-24 x 3/8" button head bolts and lock washers that attach the switch plate to the passenger side banana bracket (the bolts are in curved, slotted holes). **Fig. 20**

WARNING: Before taking the shifter lever out of Park, be sure the vehicle's tires are blocked and the parking brake is set to avoid movement of the vehicle.

Step 28: Put the shifter lever into the Reverse position. Reposition the switch plate so the hole in the switch plate lines up with the center groove in the shifter body. **Fig. 21** Screw the provided aluminum adjuster plug into the neutral safety switch opening. Wiggling the switch plate slightly forward and back while you are screwing the aluminum adjuster plug in will help get the shifter body centered on the adjuster plug. **Fig. 22**

Step 29: Retighten the two 5/16"-24 x 3/8" button head bolts and lock washers that attach the passenger side banana bracket to the switch plate.

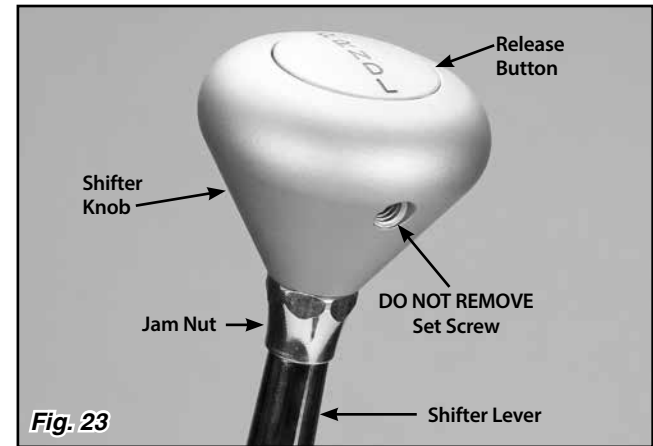
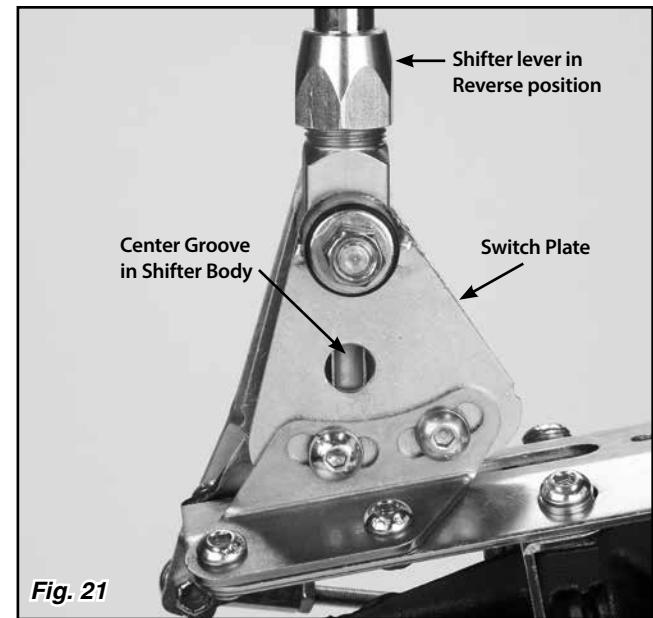
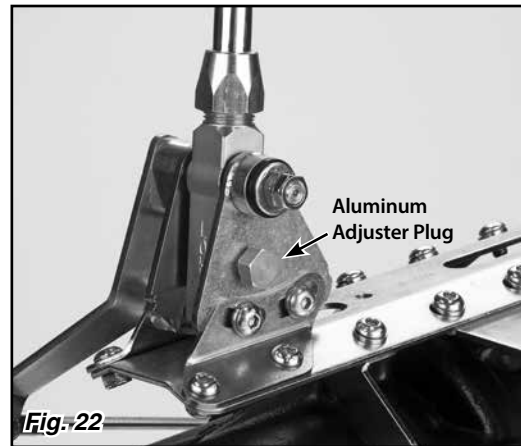
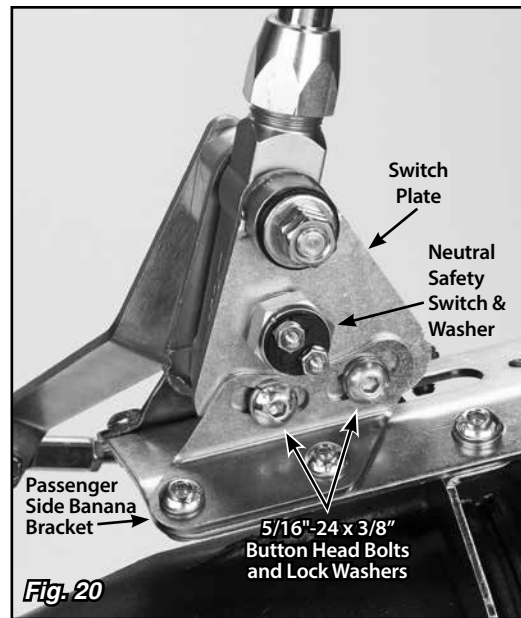
Step 30: Remove the aluminum adjuster plug, and reinstall the neutral safety switch and washer onto the shifter. Test for continuity by connecting an ohmmeter lead to each stud on the neutral safety switch. When adjusted correctly, you will only have continuity between the two switch studs when the shifter is in Park or Neutral. Continuity in any other gear requires readjustment of the neutral safety switch or the threaded rod.

Step 31: Connect the neutral safety switch between your ignition switch and starter circuits. Check the wiring of your fuse panel:

- **If there are (2) connections for a neutral safety switch**, run a #12 (or heavier) stranded wire from these terminals in your fuse panel to the (2) terminals on the neutral safety switch. That completes the Neutral Safety Switch wiring.
- **If your fuse panel does not have neutral safety switch connections**, locate the wire going from the ignition switch to the starter. If GM color codes are used, this wire will usually be purple. After locating the wire, disconnect it from the starter. It must be cut and routed from the ignition switch to one of the neutral safety switch terminals, and from the other neutral safety switch terminal to the same stud on the starter where the original wire was removed. If the wire must be lengthened, be sure to use wire at least the same size or larger than the original.

Step 32: Reconnect the negative battery cable and check operation. Make sure the engine will not start in Reverse or a drive gear. If it does, follow the neutral safety switch adjustment procedure again. If your car should ever start in any gear other than Park or Neutral, please readjust the neutral safety switch accordingly. Tighten all brackets and bolts correctly and securely and there should be no movement or maladjustment. If you have any questions after following this procedure, please call Lokar Technical Support.

Step 33: Once the installation is completely finished and the neutral safety switch is adjusted, remove each of the 5/16"-24 x 3/8" button head bolts and lock washers from the banana brackets one at a time, apply blue thread locking compound to the threads, and reinstall.



Lokar Shifter Knob Removal Instructions (For Shifters Manufactured 1995 and Later)

For Shifters manufactured 1994 and earlier, please contact Lokar for assistance.

To Remove Shifter Knob:

- Step 1:** Make sure the Shifter is all the way forward in the Park position.
- Step 2:** Loosen the jam nut below the shifter knob (turn the nut **CLOCKWISE** to loosen it). **DO NOT** loosen or remove the set screw that is in the knob. **Fig. 23**
- Step 3:** Turn the shifter knob counter-clockwise to remove.

To Install Shifter Knob:

- Step 1:** Make sure the jam nut is still in place on the shifter lever.
- Step 2:** Screw the shifter knob onto the shifter lever until the release button comes up flush with the top of the shifter knob.
- Step 3:** Tighten the jam nut up against the bottom of the shifter knob.
- Step 4:** Check to make sure depressing the release button allows the shifter lever to be moved, and the shifter lever still locks in Park and Neutral. If the shifter lever will not come out of Park with the release button fully depressed, tighten the knob one turn and check it again. If the shifter lever does not lock in Park, loosen the knob one turn and check it again.