



QUALITY... PLAIN & SIMPLE®

Chrysler 45RFE Automatic Trans Mount Shifter Installation Instructions

General Installation Notes:

Please read these instructions completely before beginning the installation. If you have any questions please call.

Before beginning the installation, disconnect the negative battery cable and use wheel chocks to block the vehicle's wheels.

Make sure the engine, transmission, body and frame are properly grounded.

Refer to Fig. 1 for the component names.

Tools and Materials Required:

- Standard Allen wrenches: 1/8", 5/32", 3/16", 7/32"
- Metric Allen wrench: 5mm
- Wrench or Socket Sizes: 5/16", 3/8", 7/16", 1/2", 9/16", 5/8", 7/8"
- Tape Measure
- Metal cutting tool, such as a hacksaw or a die grinder with a cut-off wheel
- Ohmmeter
- Wire cutters/strippers
- Wire crimping or soldering tools
- Blue thread locking compound

Lokar Shifters are designed to fit specific transmissions. Before you begin the installation, verify that you have the proper model for your transmission. If your Shifter does not seem to fit properly, do not make modifications during installation as this may void your warranty. Call for assistance.

Verify that the length of the Shifter you have purchased is what you actually want. When installed, the bottom of the shifter lever will be approximately 3-1/2" - 4" above the transmission case. From that point up to the top of the shifter knob is how the shifter length is determined.

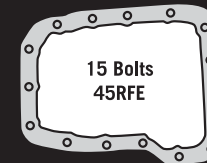
Before attempting to make any adjustments, the Shifter must be installed on the transmission and the transmission should be installed into the vehicle.

The shifter lever is designed to lock in Park and in Neutral. You must depress the release button in the top of the shifter knob in order to shift out of Park or Neutral. The release button will only be flush with the top of the shifter knob when the shifter lever is in Park or Neutral.

To shift from Park directly to Drive, depress the release button and hold it down while moving the shifter lever, and the shifter lever will automatically stop in the Drive position. Once you release the button, the Shifter will allow you to move the lever into 2nd gear. You must depress the release button again to shift down into 1st gear.

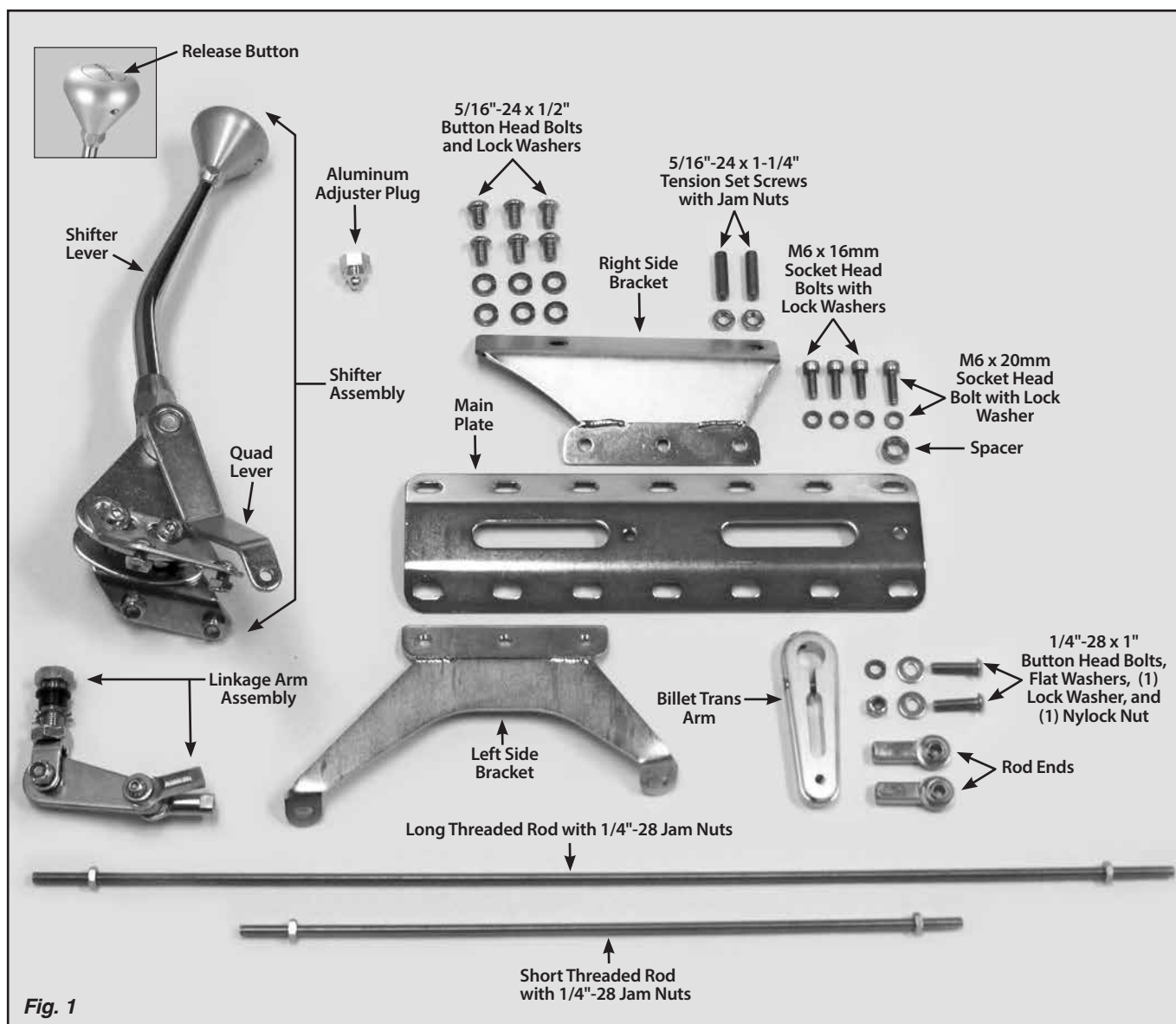
These instructions assume that you have full access to the transmission when the Shifter installation is begun, with the transmission removed from the vehicle, or the vehicle body removed from the chassis.

Chrysler 45RFE Automatic Trans Mount Shifter Installation Instructions



Building American Quality... With A Lifetime Warranty!®

TOLL FREE 1-877-469-7440 • tech@lokar.com • www.lokar.com



Step 1: Place the transmission in the Park position. If the vehicle already has a shifter of any type installed, disconnect all shifter linkage and remove the shifter and its related hardware (neutral safety switch, back-up light switch, etc.).

Step 2: The Lokar Shifter's main plate has two 5/16"-24 tension set screw holes. One set screw hole is in the center of the main plate, and the other set screw hole is at one end of the main plate. The main plate will be installed so that the end of the main plate that has a set screw hole will go to the rear, and the end that does not have a set screw hole will go to the front (towards the engine).

The left side bracket and right side bracket bolt directly to the main plate. The left side bracket bolts to the front three holes on the left side of the main plate. The right side bracket bolts to the center of the right side of the main plate, into the 3rd, 4th, and 5th holes from the front of the main plate. Attach the side brackets to the underside of the main plate as shown in **Fig. 2**, using three 5/16"-24 x 1/2" button head bolts and lock washers on each side. **DO NOT TIGHTEN AT THIS TIME.**

Step 3: Position the bracket assembly on the transmission. Both the left and right side brackets bolt into existing threaded holes in the transmission case. Install an M6 x 16mm socket head bolt with lock washer into both of the mounting holes in the left bracket, and into the front mounting hole in the right side bracket, but do not tighten any of them yet. **Fig. 3 & Fig. 4**

Step 4: Insert the provided spacer into the gap between the transmission case and the rear corner of the right side bracket, and install the M6 x 20mm socket head bolt with lock washer in that location. **Fig. 4**

Step 5: Tighten the M6 bolts in the side brackets first, using a 5mm allen wrench. Then, tighten the 5/16" bolts from the main plate to the side brackets.

Step 6: Install the 5/16"-24 x 1-1/4" tension set screws into the tension set screw holes at the rear and in the center of the main plate. Run the set screws down until they contact the top of the transmission case. Tighten them just enough to put tension on the main plate.

Step 7: Install the 5/16" x 24 jam nuts onto the set screws, and tighten the jam nut while holding the set screw with a 5/32" Allen wrench. **Fig. 5**

If one or both set screws do not have enough threads left above the main plate for the jam nut to be installed, loosen the set screw enough to install the jam nut underneath the main plate. Then, tighten the set screw against the transmission case, and tighten the jam nut up against the underside of the main plate.

Step 8: You are now ready to position your shifter assembly onto the main plate. There are several mounting position options from front to rear on the transmission.

If your vehicle already has a shifter opening in the tunnel and the engine is installed in the vehicle, measure from the rear face of the engine block to the center of your existing shifter opening. If your engine is not yet installed in the vehicle, measure from the engine mounts to the center of the existing shifter opening instead.

If the vehicle does not have an existing shifter opening in the transmission tunnel, decide where you want the shifter lever to be positioned so that it will be comfortable and will not interfere with the dash or a bench seat (if applicable). Mark that spot on the tunnel, and measure as described above.

Transfer that measurement to the transmission (or to the engine/transmission assembly if the engine is not installed in the vehicle). Mark that location on the shifter's main plate. The holes in the main plate that are closest to your mark are where the **FRONT** banana bracket bolts will need to be installed. **Fig. 6**

If you choose to install the shifter assembly where any of its mounting holes line up with the left or right bracket mounting bolts, mount the shifter assembly using the same bolts and lock washers that are already being used to attach the left or right mounting brackets to the main plate. In this case, the bolts will go through the banana bracket first, then, the main plate, and finally, into the mounting bracket below.

Any shifter mounting holes that do not line up with the left or right mounting bracket bolts must use the provided 5/16"-24 x 1/2" button head bolts and nylock nuts (**NO lock washers**). Make sure the shifter assembly is mounted using all four bolt holes. **Do not use any other length bolts.**

Mounting Bracket Assembly

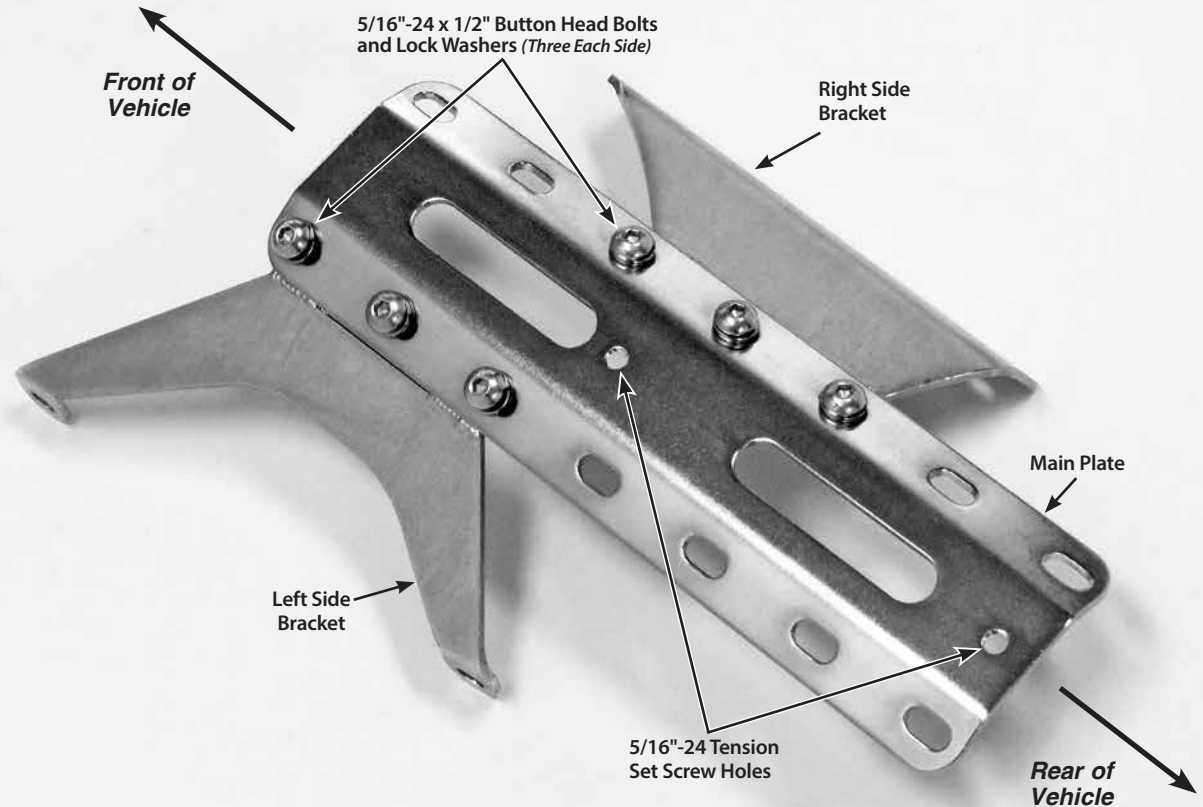


Fig. 2

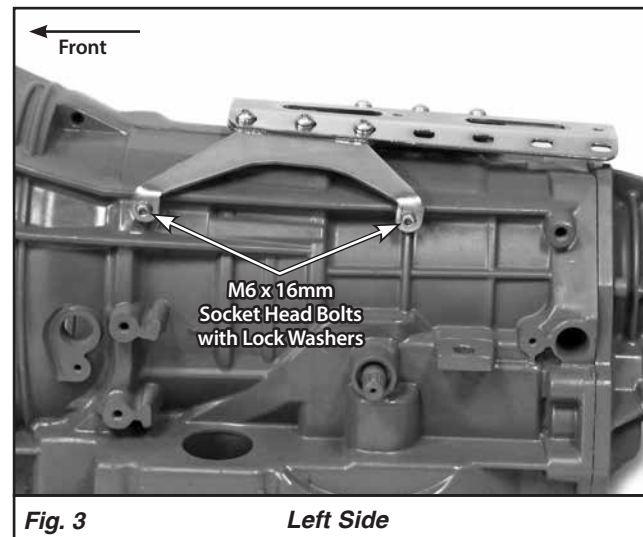


Fig. 3

Left Side

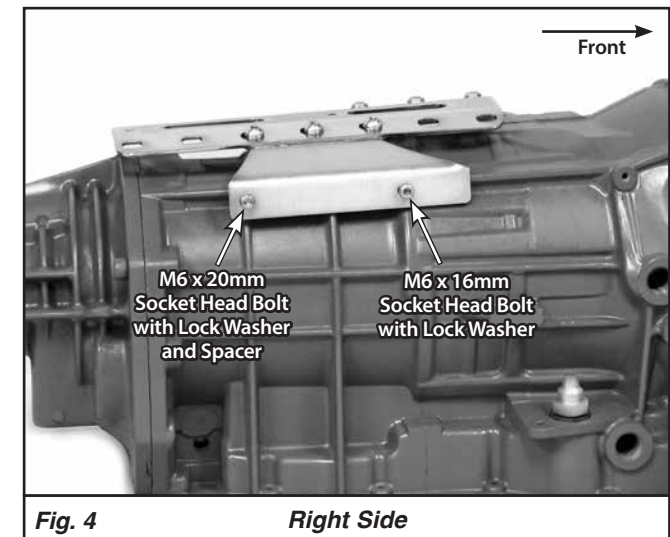


Fig. 4

Right Side

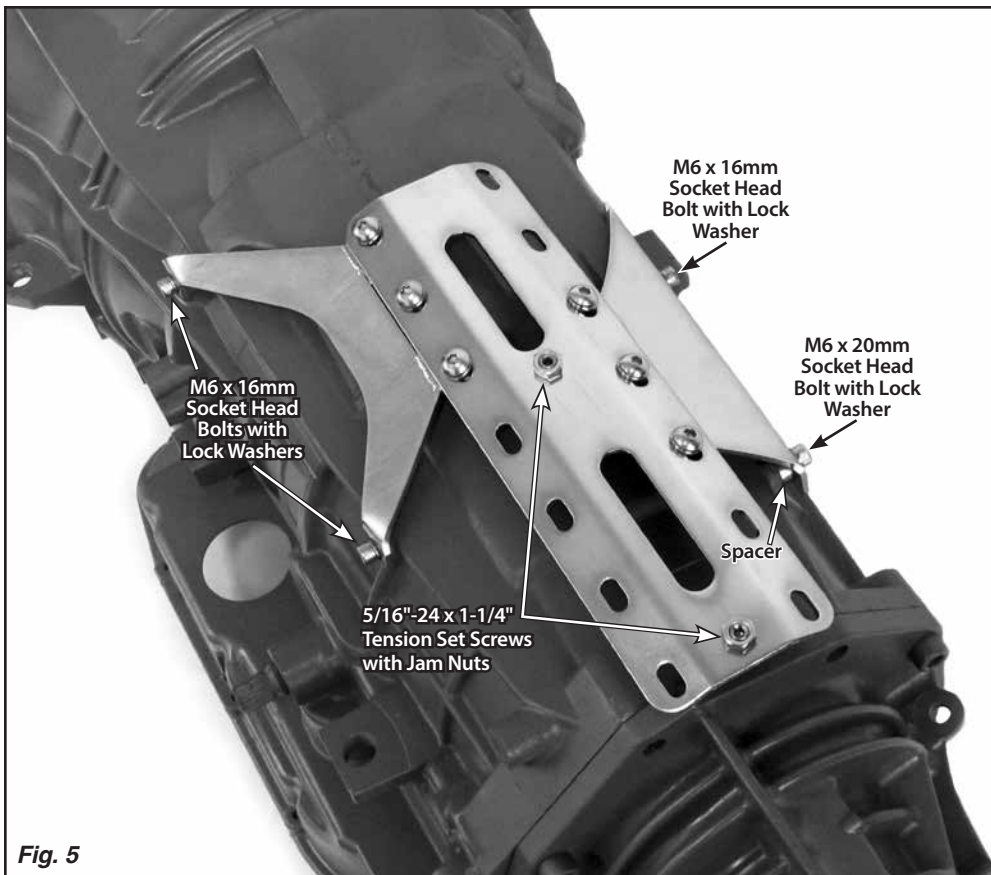


Fig. 5

Step 9: If your vehicle does not already have an existing shifter opening, cut the opening now. If you are using a Lokar Shifter Boot, the maximum opening for a round boot is 4" in diameter, and the maximum opening for a rectangular boot is 4" wide by 5-1/2" long.

***** Before proceeding any further, the transmission should be installed in the vehicle, with the vehicle body, driver's seat and dashboard in place.**

Step 10: Make sure the two 5/16"-24 x 3/8" button head bolts that attach the left side banana bracket to the shifter assembly (in the curved, slotted holes) are tight. Before tightening the shifter assembly down to the main plate, move the shifter lever through all of the gear positions. Make sure that the shifter lever and knob do not come in contact with the dash or the seat. The shifter assembly can be tilted forward or backward if needed by loosening the 5/16"-24 x 3/8" button head bolts in the curved, slotted holes in the left side banana bracket. **Fig. 6**

If you ever disassemble the shifter assembly, be sure that the 5/16"-24 x 3/8" button head bolts and lock washers are put back into the curved, slotted holes in the banana brackets. Installing longer bolts will prevent the shifter from operating.

NOTE: If you find after installation that the shape or length of the shifter lever is not suitable for your application, Lokar has a number of different styles and lengths of Shifter Lever Replacement Kits available for purchase separately through our dealer network.

Step 11: Put the shifter lever into the Park position and check the position of the quad lever. It will need to be pointing to about the 4:30 – 5:00 position. If it is not, loosen the set screw in the top of the quad lever with a 1/8" Allen wrench and slide the quad lever off of the shaft. Reposition it on the shaft at approximately the 4:30 – 5:00 position, and retighten the set screw. **Fig. 7**

NOTE: If your shifter assembly is placed near the front of the main plate, you may need to position the quad lever slightly higher, such as at the 4:00 position instead. This will help prevent over-centering the linkage arm.

Step 12: Verify that the transmission is in Park. Remove the original trans arm from the selector shaft on the transmission. Install the new billet trans arm onto the selector shaft, making sure that the dog point set screw in the billet trans arm is aligned with the groove in the selector shaft. The billet trans arm should be pointing towards approximately the 4:30 - 5:00 position.

Tighten the dog point set screw in the billet trans arm using a 1/8" allen wrench. Tighten the socket head bolt on the side of the billet trans arm using a 3/16" allen wrench. **Fig. 8**

Step 13: Verify that the linkage arm assembly is assembled correctly, with flat washers on the outside of each rod end and the heads of both button head bolts on the same side of the linkage arm as shown in **Fig. 9**. Remove the 1/2"-20 nut and Delrin® bushing from the linkage arm assembly. Make sure the star washer is in place on the linkage arm assembly, and insert the linkage arm assembly into the transmission boss from the bottom side.

Insert the Delrin® bushing into the transmission boss from the top. Make sure the heads of the button head bolts are on the outside of the linkage arm, and install the 1/2"-20 nut onto the linkage arm assembly. Tighten the 5/16"-24 x 7/8" button head bolt and nylock jam nut at the top of the linkage arm, but make sure the linkage arm can still rotate freely forward and back. **Fig. 10**

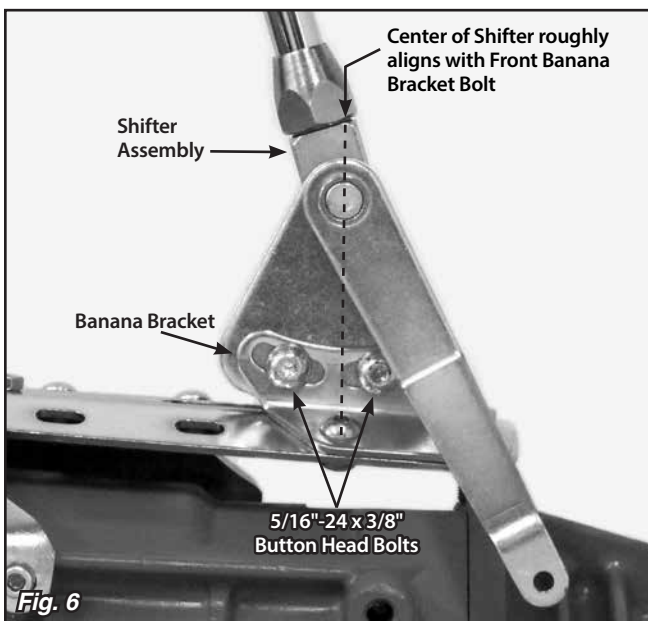


Fig. 6

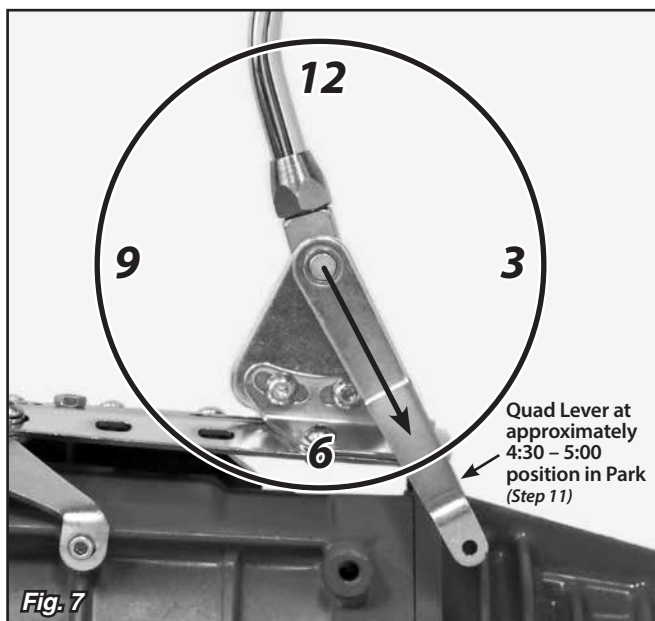


Fig. 7

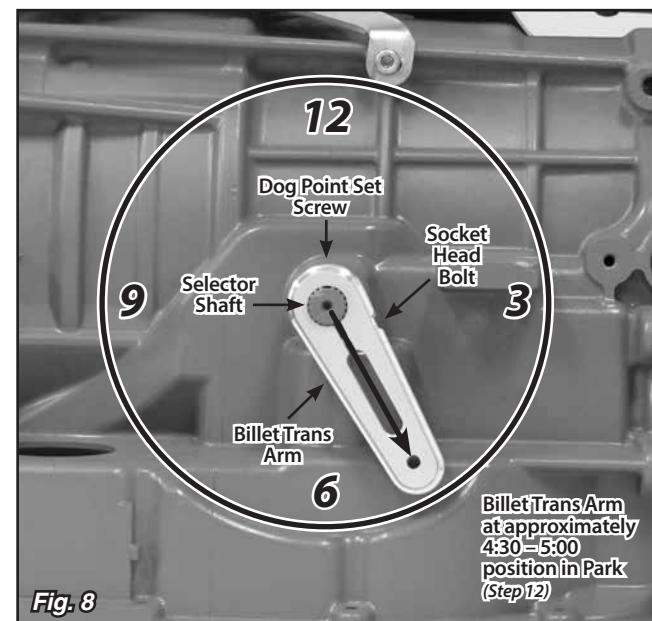


Fig. 8

Step 14: The long threaded rod will connect the quad lever to the linkage arm. Check to make sure that nothing will interfere with the travel of the long threaded rod. The long threaded rod may need to be bent slightly in order to prevent contact with the transmission wiring harness.

Verify that both the shifter lever and the transmission are in the Park position. Hold the linkage arm at approximately the 4:00 - 4:30 position. Measure center-to-center from the 1/4"-28 button head bolt in the bottom of the linkage arm on the transmission to the 1/4" hole in the quad lever on the shifter assembly. Subtract 1-3/4". **Fig. 11** This is the length you will cut the long threaded rod to. Use a hacksaw or cutoff wheel to shorten the long threaded rod, and then, de-burr the cut end of the rod.

Step 15: Verify that the 1/4"-28 jam nuts are still on the long threaded rod, and install the long threaded rod into the inner rod end on the linkage arm. Install a rod end onto the opposite end of the long threaded rod, and connect it to the outside of the quad lever using a 1/4"-28 x 1" button head bolt, flat washer, and nylock nut. Make sure the rod end is sandwiched between the flat washer and the quad lever. **Fig. 12**

Step 16: The short threaded rod will connect the linkage arm to the billet trans arm. Check to make sure that nothing will interfere with the travel of the short threaded rod. If there is any interference, the short threaded rod can be bent slightly as needed. Measure center-to-center from the button head bolt in the bottom of the linkage arm to the center of the 1/4" hole in the bottom of the billet trans arm. Subtract 1-3/4". **Fig. 11** This is the length you will cut the short threaded rod to. Use a hacksaw or cutoff wheel to shorten the threaded rod, and then, de-burr the cut end of the threaded rod.

Step 17: Verify that both 1/4"-28 jam nuts are on the short threaded rod. Thread one end of the short threaded rod into the rod end on the linkage arm, and install a rod end onto the opposite end of the short threaded rod. Attach that rod end to the outside of the billet trans arm using the 1/4"-28 x 1" button head bolt with a lock washer and flat washer as shown in **Fig. 13**.

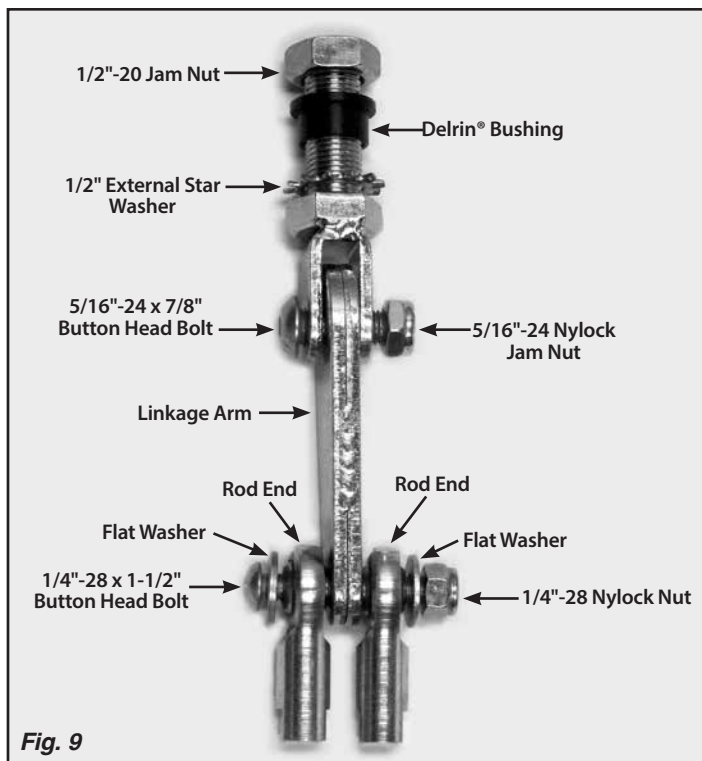


Fig. 9

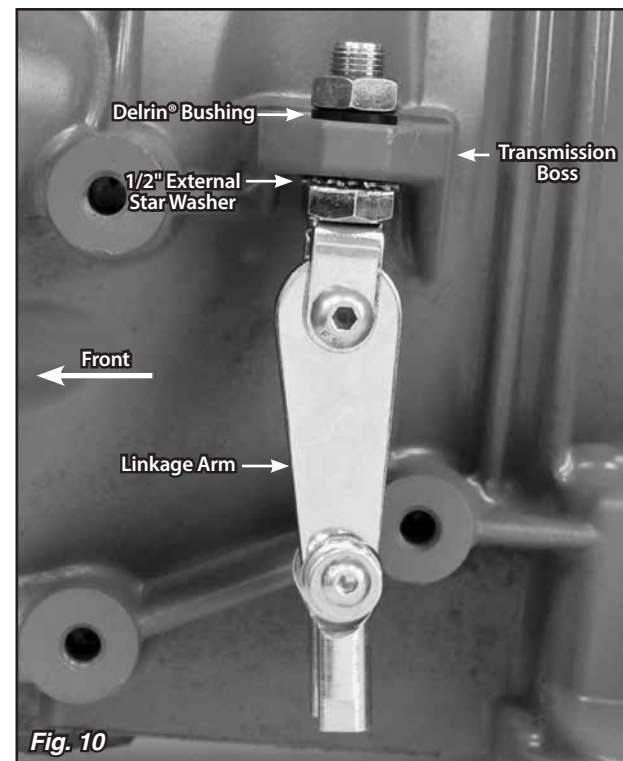


Fig. 10

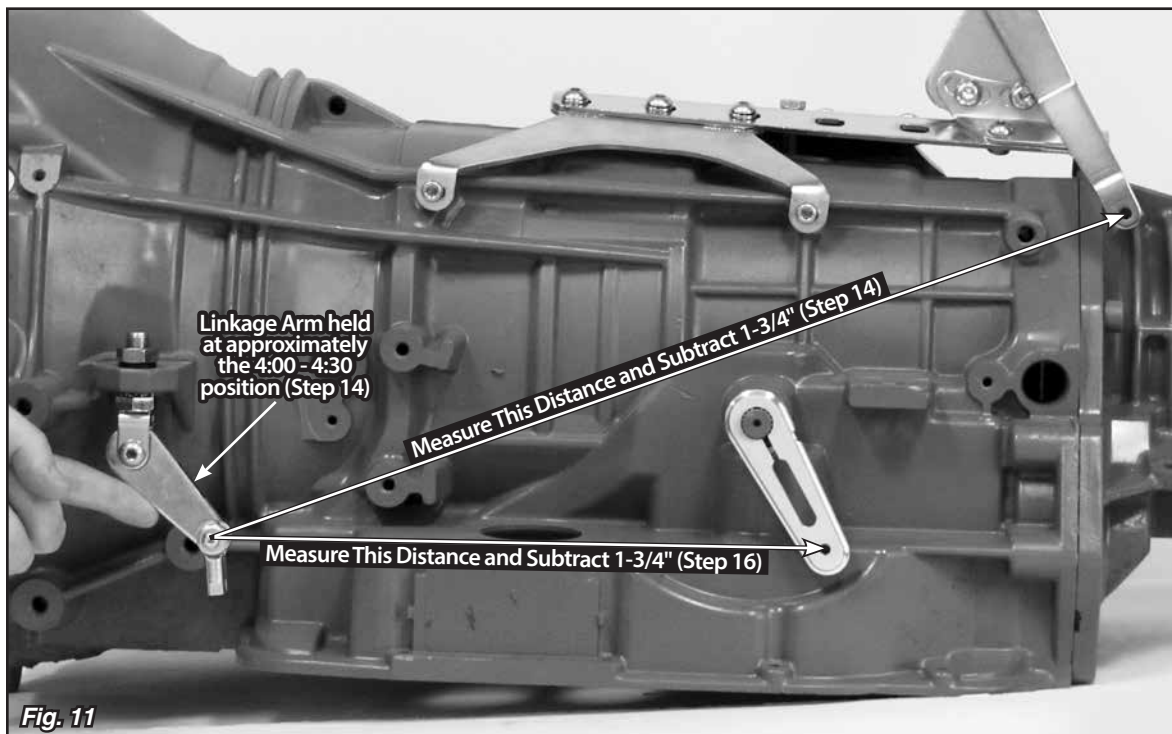


Fig. 11

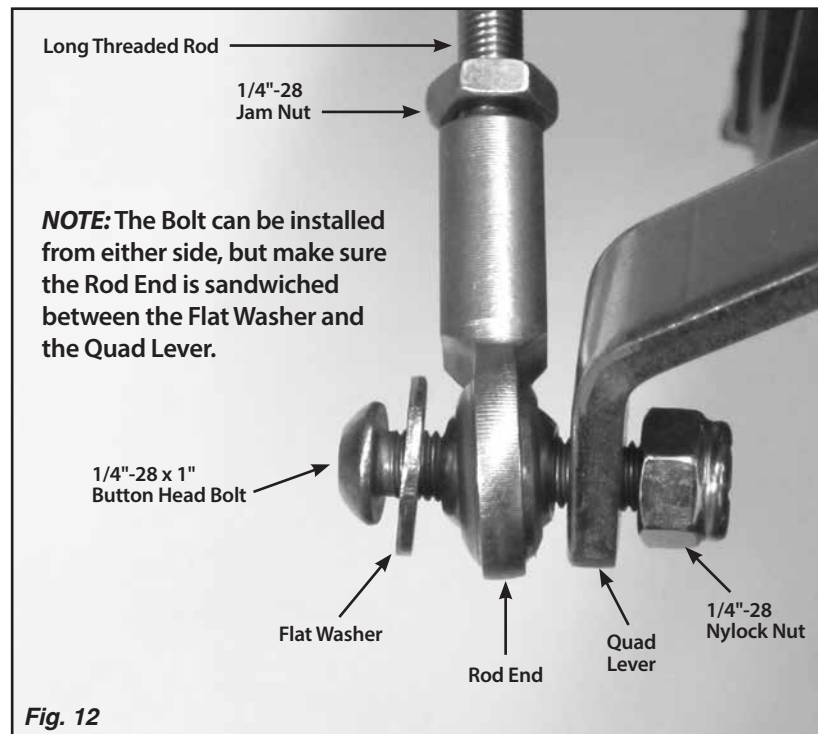


Fig. 12

NOTE: The Bolt can be installed from either side, but make sure the Rod End is sandwiched between the Flat Washer and the Quad Lever.

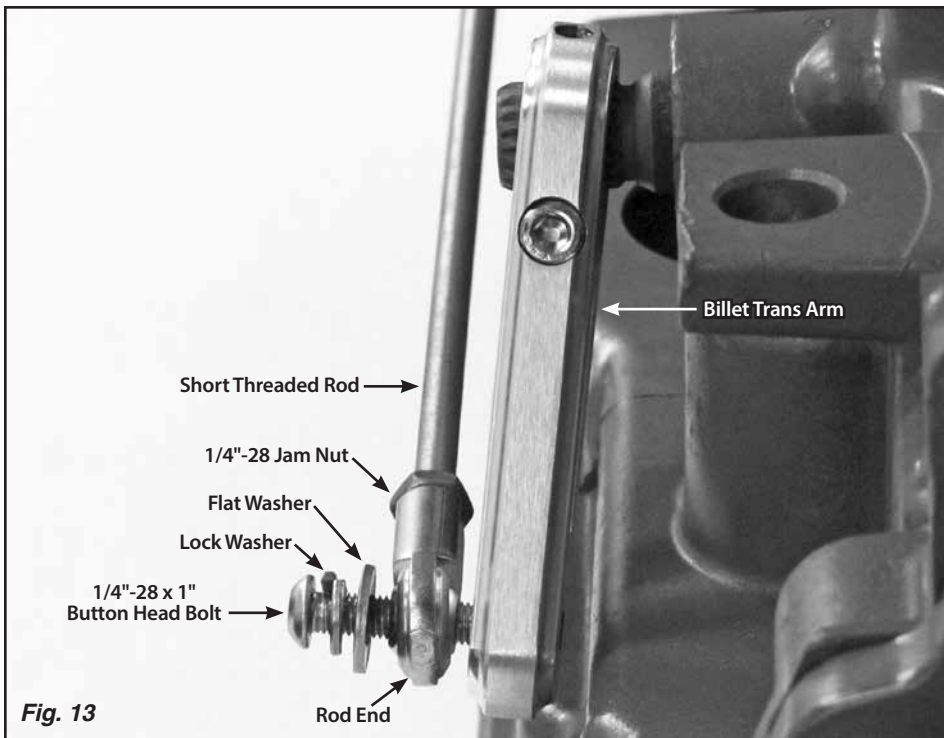


Fig. 13

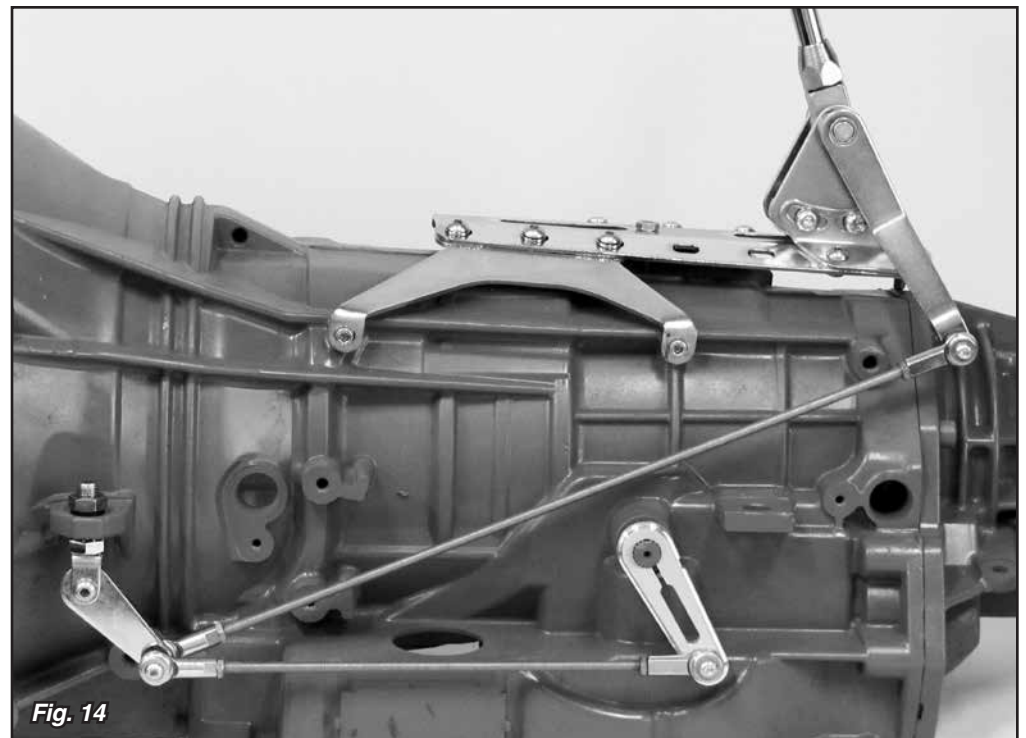


Fig. 14

Step 18: Check the adjustment of the shifter linkage by placing the shifter lever all the way forward into the Park position. Make sure that the release button still moves up and down freely. The release button should be flush with the shifter knob in Park and Neutral. In the Reverse position, you cannot pull the shifter lever back into Neutral without depressing the release button.

While the shifter lever is in the Park position, make sure the transmission is firmly in the Park detent, with no tension on the long threaded rod. You can verify this by removing the 1/4"-28 x 1" button head bolt with nylock nut that attaches the rod end to the quad lever. Make sure the hole in the rod end exactly aligns with the hole in the quad lever. The bolt should pass freely through both holes at the same time without binding. Do not force the holes to line up.

If the holes are not aligned, screw the rod end in or out just enough to be able to slide the bolt in and out without putting tension on the long threaded rod. Make sure that the quad lever and trans arm do not move during the adjustment procedure. Use this adjustment routine until the bolt will pass freely in and out of both the rod end and the quad lever. Reinstall the 1/4"-28 nylock nut and the flat washer onto the bolt and tighten.

Once you have the shifter linkage adjusted correctly, tighten the jam nuts on the long threaded rod. See Fig. 14 for a completed installation.

Neutral Safety Switch Adjustment and Wiring

Step 19: For the neutral safety switch to function properly, the shifter linkage must be adjusted correctly. Do not attempt to adjust the neutral safety switch unless you have completed **Step 18**.

The Lokar Neutral Safety Switch is a simple on/off, non-directional switch. The switch passes current (turns on) when the ball is pushed in. It does not pass current (turns off) when the ball is out at its at-rest position.

Double check to make sure that the bolts connecting the **left** side banana bracket to the shifter assembly are tight. Fig. 6

Step 20: Remove the neutral safety switch and washer from the switch plate on the right side of the shifter assembly using a 7/8" wrench or socket. Fig. 15

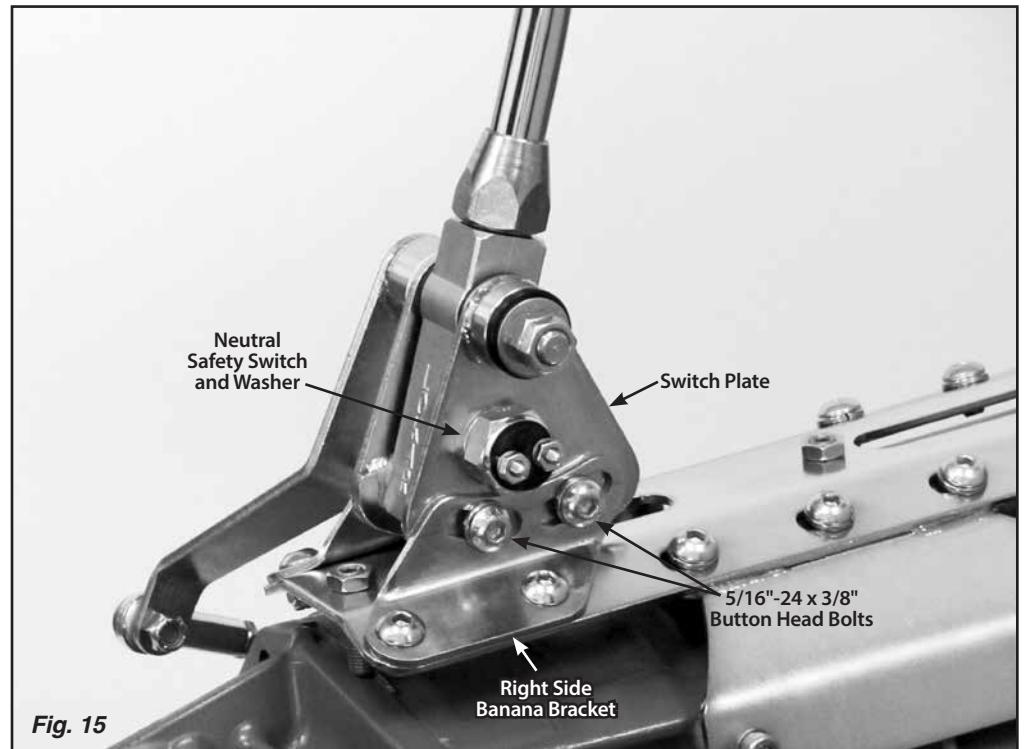


Fig. 15

Lokar Shifter Knob Removal Instructions (For Shifters Manufactured 1995 and Later)

Step 21: Loosen, but do not remove, the two 5/16"-24 x 3/8" button head bolts that attach the switch plate to the right side banana bracket (the bolts are in curved, slotted holes). **Fig. 14**

WARNING: Before taking the shifter lever out of Park, be sure that the vehicle's tires are blocked and the parking brake is set to avoid movement of the vehicle.

Step 22: Put the shifter lever into the Reverse position. Reposition the switch plate so that the hole in the switch plate lines up with the center groove in the shifter body. **Fig. 15** Screw the provided aluminum adjuster plug into the neutral safety switch opening. Wiggling the switch plate slightly forward and back while you are screwing the aluminum adjuster plug in will get the shifter body centered on the adjuster plug. **Fig. 16**

Step 23: Retighten the two 5/16"-24 x 3/8" button head bolts that attach the right side banana bracket to the switch plate.

Step 24: Remove the aluminum adjuster plug, and reinstall the neutral safety switch and washer onto the shifter assembly. Test for continuity by connecting an ohmmeter lead to each stud on the neutral safety switch. When adjusted correctly, you will only have continuity between the two switch studs when the shifter lever is in Park or Neutral. Continuity in any other gear requires readjustment of the neutral safety switch or the shifter linkage.

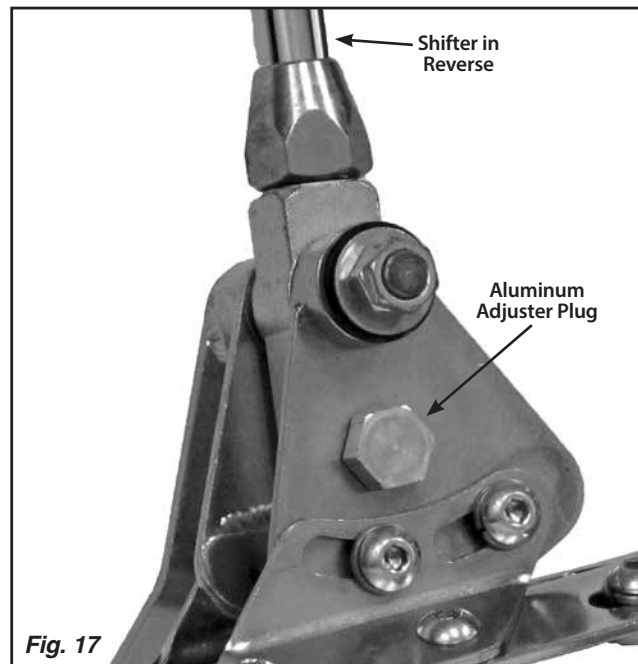
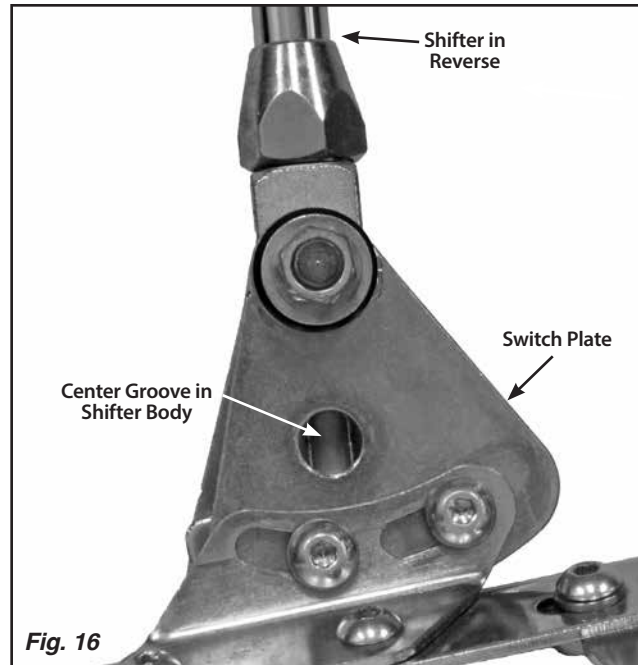
Step 25: Connect the neutral safety switch between your ignition switch and starter circuits. Check the wiring of your fuse panel:

- **If there are (2) connections for a neutral safety switch**, run a #12 (or heavier) stranded wire from these terminals in your fuse panel to the (2) terminals on the neutral safety switch. That completes the Neutral Safety Switch wiring.

- **If your fuse panel does not have neutral safety switch connections**, locate the wire going from the ignition switch to the starter. If GM color codes are used, this wire will usually be purple. After locating the wire, disconnect it from the starter. It must be cut and routed from the ignition switch to one of the neutral safety switch terminals, and from the other neutral safety switch terminal to the same stud on the starter where the original wire was removed. If the wire must be lengthened, be sure to use wire that is at least the same size or larger than the original.

Step 26: Reconnect the negative battery cable and check operation. Make sure that the engine will not start in Reverse or any forward gear. If it does, follow the neutral safety switch adjustment procedure again. If your car should ever start in any gear other than Park or Neutral, please readjust the neutral safety switch accordingly. Tighten all brackets and bolts correctly and securely and there should be no movement or maladjustment. If you have any questions after following this procedure, please call Lokar Technical Support.

Step 27: Once the installation is completely finished and the neutral safety switch is adjusted, remove each of the 5/16"-24 x 3/8" button head bolts from the banana brackets one at a time, apply blue thread locking compound to the threads, and reinstall.



For Shifters manufactured 1994 and earlier, please contact Lokar for assistance.

To Remove Shifter Knob:

Step 1: Make sure the shifter lever is all the way forward in the Park position.

Step 2: Loosen the jam nut below the shifter knob. **DO NOT** loosen or remove the set screw that is in the shifter knob. **Fig. 17**

Step 3: Turn the shifter knob counter-clockwise to remove.

To Install Shifter Knob:

Step 1: Make sure the jam nut is still in place on the shifter lever.

Step 2: Screw the shifter knob onto the shifter lever until the release button comes up flush with the top of the shifter knob.

Step 3: Tighten the jam nut up against the bottom of the shifter knob.

Step 4: Check to make sure that depressing the release button allows the shifter lever to be moved, and that the shifter lever still locks in Park and Neutral. If the shifter lever will not come out of Park with the release button fully depressed, tighten the knob one turn and check it again. If the shifter lever does not lock in Park, loosen the knob one turn and check it again.

