



QUALITY... PLAIN & SIMPLE®

## Connector Cable Installation Instructions For 1938 - 1948 Dodge

### General Installation Notes:

Please read these instructions completely before beginning the installation. If you have any questions please call.

Before beginning the installation, disconnect the negative battery cable and use wheel chocks to block the vehicle's wheels.

Make sure the engine, transmission, body and frame are properly grounded. We recommend using anti-seize lubricant on all aluminum threads.

**This Lokar Connector Cable is designed to be used with Lokar's Universal Emergency Brake Cables, available separately.**

**Refer to Fig. 1 and Fig. 2 for the component names.**

**Step 1:** Remove the inner wire from the cable housing on the new Lokar Connector Cable.

**Step 2:** Install the new cable housing into the Dodge hand brake mechanism under the dash, using the original Dodge cable housing clamp (not included) as shown in **Fig. 3**.

**Step 3:** Route the cable housing back to the rear Emergency Brake Cables.

**Step 4:** Determine where the single cable adjuster bracket will be mounted. The single cable adjuster bracket must be aligned with the double cable adjuster bracket (not included, part of the Lokar Universal Emergency Brake Cables available separately) so that the cables are being pulled in a straight line, not at an angle. If you are using Lokar Universal Emergency Brake Cables, the single cable adjuster bracket should be mounted approximately 9-1/2" in front of the double cable adjuster bracket as shown in **Fig. 4**.

**Step 5:** Mount the single cable adjuster bracket to the underside of the vehicle. Position the brake cable adjuster so that the threaded part is approximately centered in the single cable adjuster bracket.

**Step 6:** Route the cable housing down to the single cable adjuster bracket, and mark the cable housing at the bracket. If the cable housing is braided stainless steel, slide the ferrule up the housing towards the hand brake and past your mark, away from the end that is being cut.

**Do not remove the ferrule from a braided stainless steel housing!**

# Connector Cable Installation Instructions

For 1938 - 1948 Dodge

**Building American Quality... With A Lifetime Warranty!®**

TOLL FREE 1-877-469-7440 • tech@lokar.com • www.lokar.com

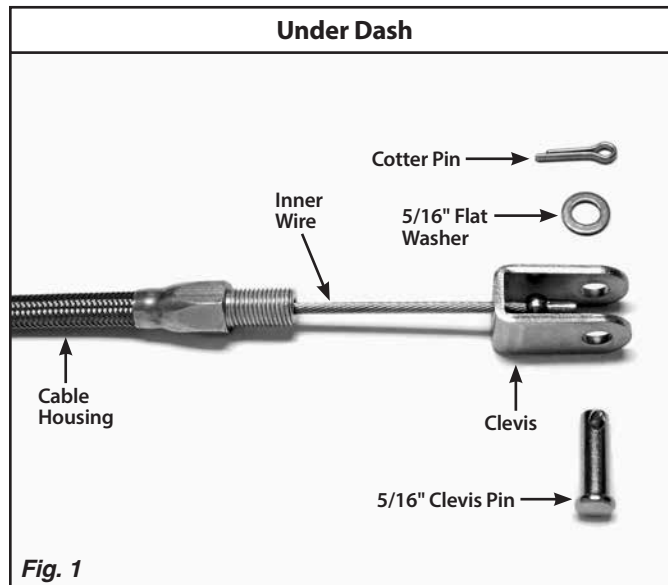


Fig. 1

### Step 6: (continued)

If the cable housing is black universal, remove the ferrule.

**Make sure that the inner wire is removed from the cable housing!**

If the Connector Cable has the braided stainless steel housing, wrap tape around the area to be cut and use a cutoff wheel or fine-toothed hacksaw to cut the cable housing at your mark. If the Connector Cable has the black universal housing, cut the cable housing at your mark using heavy duty 8" diagonal cutting pliers or a hacksaw. Lokar recommends Klein brand Diagonal Cutting Pliers, # D2000-28 available at The Home Depot or through W. W. Graingers, Part # 4A838.

**Step 7:** After cutting the cable housing, put the ferrule back in place at the end of the cable housing. Insert the cable housing and ferrule into the single cable adjuster.

**Step 8:** Verify that the clevis is still on the inner wire, and install the inner wire into the cable housing, starting from the hand brake under the dash. Make sure the hand brake is in the fully off position.

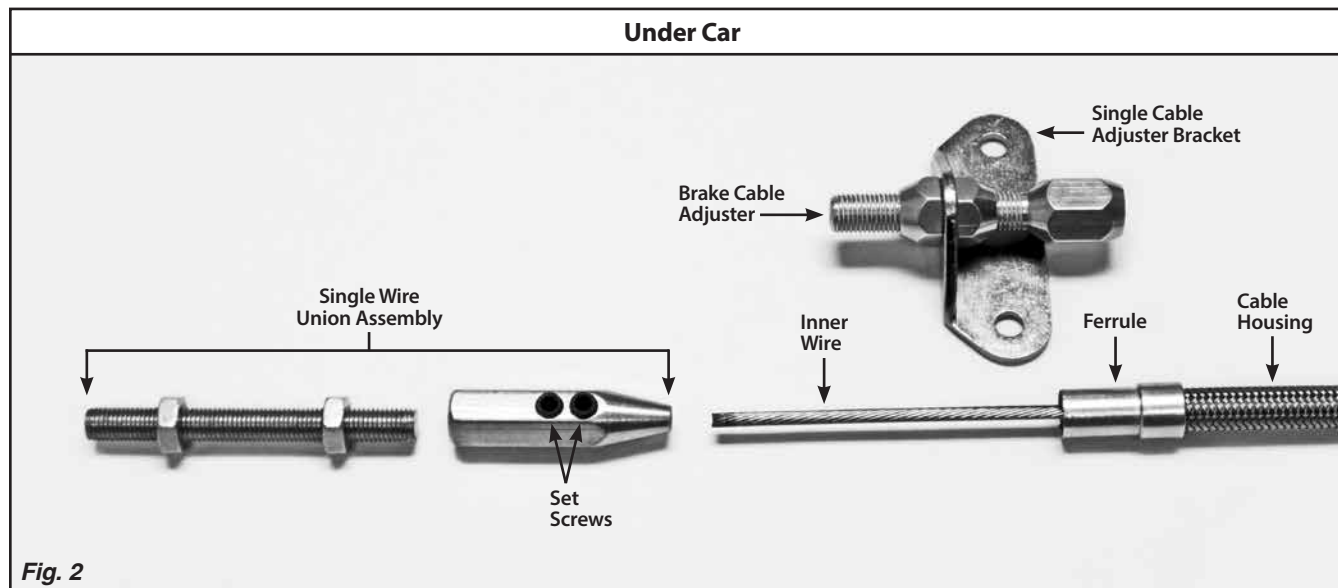
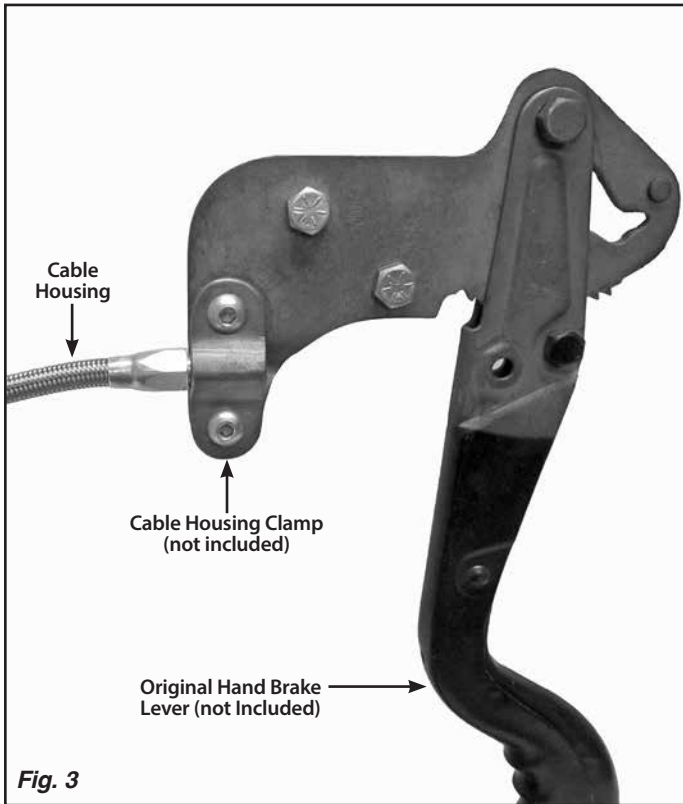


Fig. 2

## Connector Cable Installation Instructions for 1938 - 1948 Dodge



**Fig. 3**

**Step 9:** Install the clevis onto the original hand brake lever, and insert the clevis pin through the clevis and hand brake lever. Install the flat washer onto the clevis pin, and secure with the cotter pin. When the inner wire is fully installed, you will have at least a foot or more of the inner wire sticking out of the brake cable adjuster at the single cable adjuster bracket.

**Step 10:** If the rear Emergency Brake Cables have not already been installed, install them now.

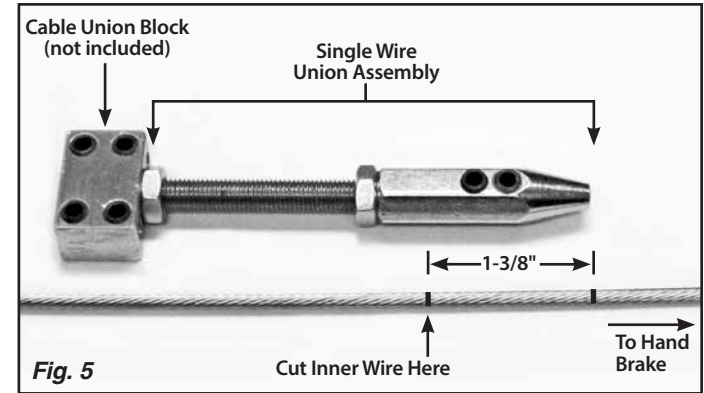
Thread the single wire union assembly approximately 1/2" into the cable union block (not supplied, comes with the Lokar Emergency Brake Cables).

**Step 11:** Bring the inner wire up next to the single wire union assembly, and mark the inner wire where it lines up with the tapered end of the single wire union assembly.

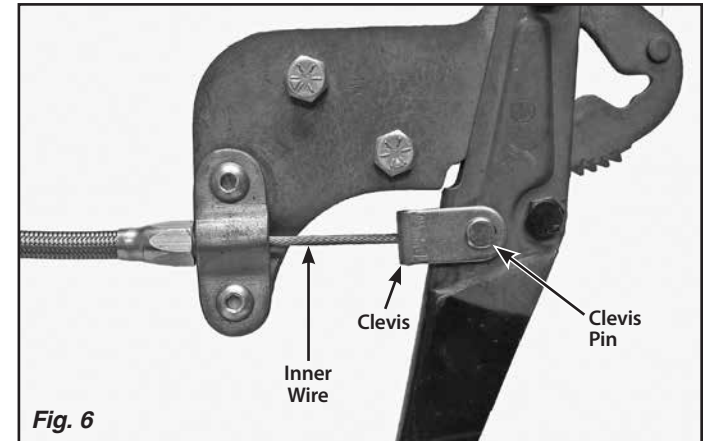
**Step 12:** Measure 1-3/8" further towards the rear end of the inner wire and make a second mark. Cut the inner wire at the second mark, so that approximately 1-3/8" of the inner wire can be inserted into the single wire union assembly. **Fig. 5**

**Step 13:** Loosen the set screws in the single wire union assembly using a 1/8" Allen wrench. Insert the end of the inner wire as far as it will go into the single wire union assembly, and tighten the set screws.

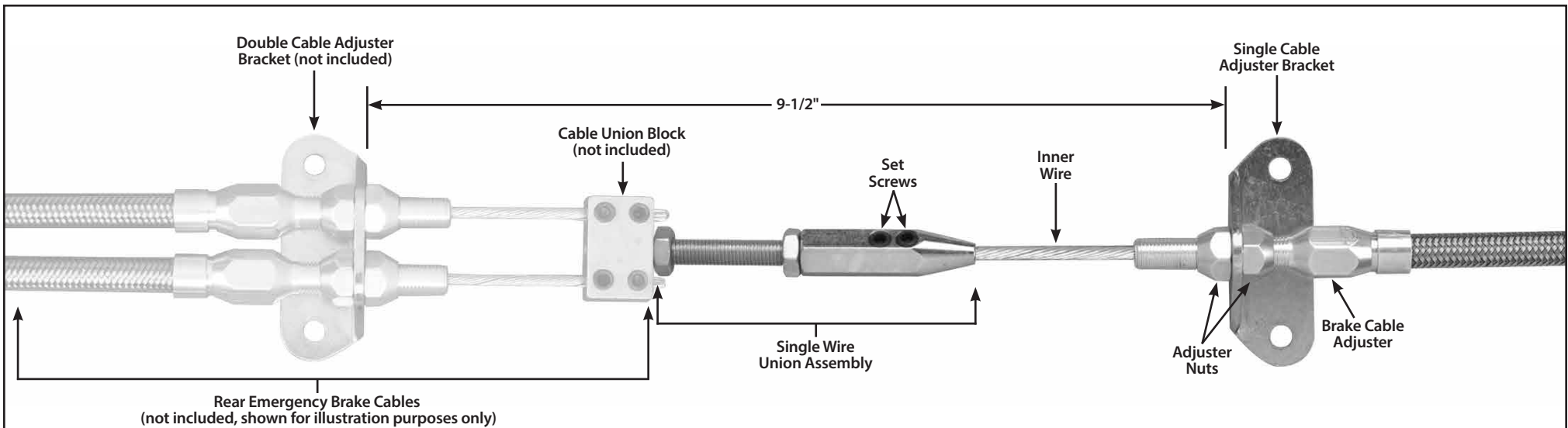
**Step 14:** Adjust all cables as necessary to remove any slack. **Fig. 4** and **Fig. 6** show the completed assembly.



**Fig. 5**



**Fig. 6**



**Fig. 4**