



QUALITY... PLAIN & SIMPLE®

MSD Atomic 2 Cable Bracket Installation Instructions

General Installation Notes:

Please read these instructions completely before beginning the installation. If you have any questions, please call.

Before beginning the installation, disconnect the negative battery cable and use wheel chocks to block the vehicle's wheels.

Make sure the engine, transmission, body and frame are properly grounded. We recommend using anti-seize lubricant on all aluminum threads.

The Lokar Cable Bracket Kit is designed to be used with Lokar Throttle and Kickdown Cables.

Step 1: Remove the throttle body mounting bolt from the driver side rear corner of the throttle body, and position the Lokar Cable Bracket as shown in **Fig. 2**. Loosely re-install the original throttle body mounting bolt.

Step 2: Position the Lokar Cable Bracket so that the bend that is labeled in **Fig. 2** is parallel to the throttle body base front to back.

Using the included 5/64" Allen wrench, tighten the #8-32 x 3/4" set screw until it touches the throttle body base. Then, use a 5/16" wrench to lock the set screw in place with the jam nut.

Step 3: Tighten the left rear throttle body mounting bolt.

Step 4: Connect the inner and outer springs to the small hole in the throttle lever, and to the bottom hole in the Throttle Cable Bracket. **Fig. 3**

Step 5: If you will be installing a Kickdown Cable, consult the Atomic 2 installation instructions to determine which kickdown linkage connection hole is correct for your type of transmission. Install the hex carb fitting in the appropriate kickdown linkage connection hole, and secure with the 1/4"-28 nylock jam nut. **Fig. 4**

Proceed with the Kickdown (if applicable) and Throttle Cable installation.

MSD Atomic 2 Cable Bracket Installation Instructions

Building American Quality... With A Lifetime Warranty!®

TOLL FREE 1-877-469-7440 • tech@lokar.com • www.lokar.com

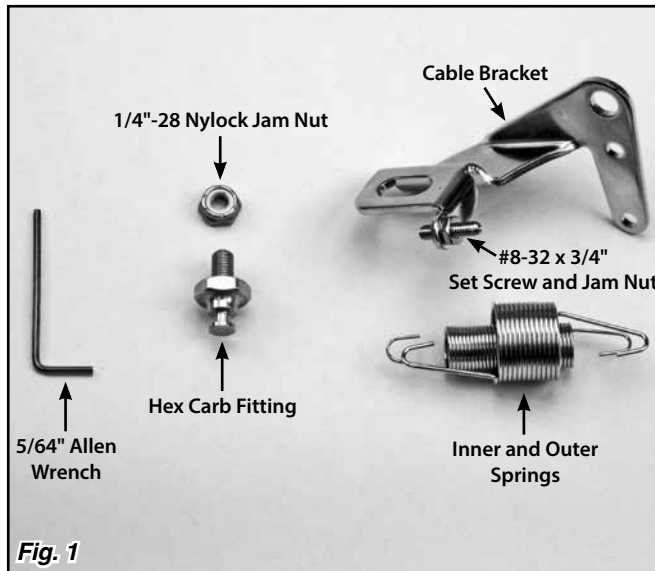


Fig. 1

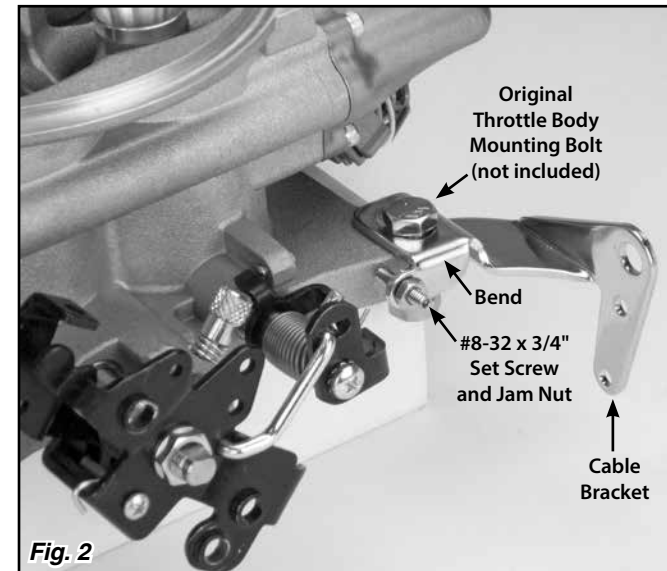


Fig. 2

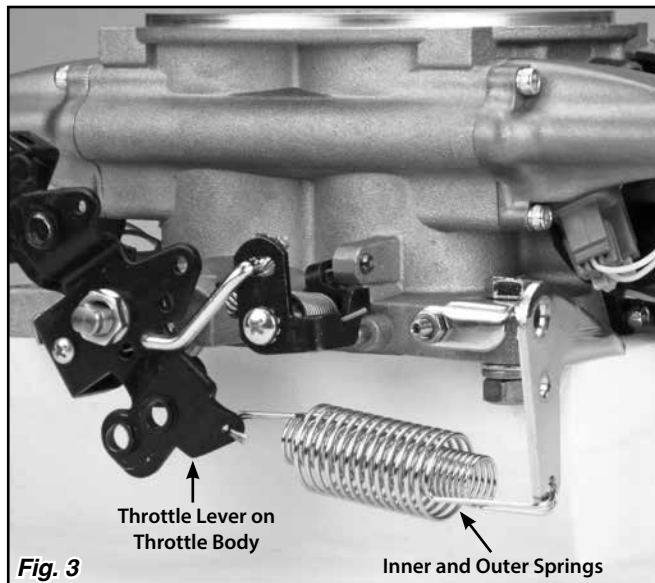


Fig. 3

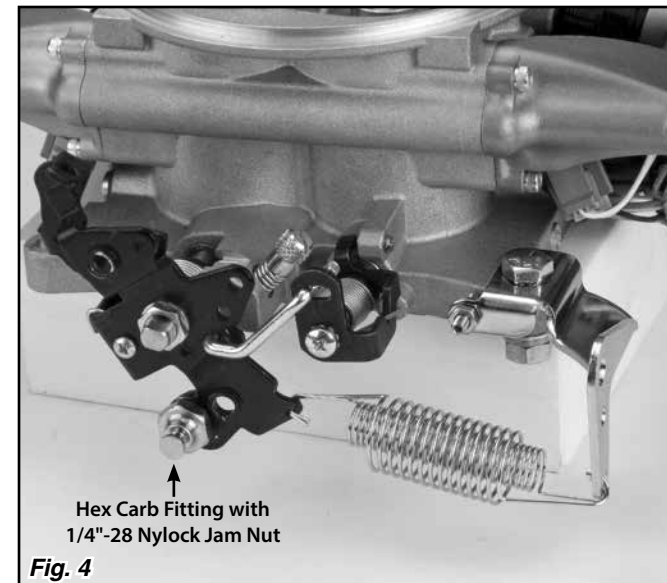


Fig. 4